

6 Covers

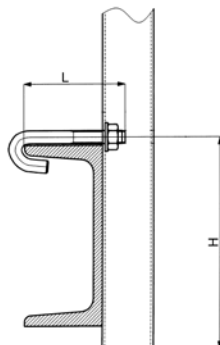
6.3.6 Fixing accessories

The fixing system is designed for a quick positioning and a simple removal of the covers to allow the inspection of the idler sets and the conveyor belt.

Covers will be supplied:

- **with punching** for a fixing bolts, hooks and brackets;
- **without punching** for a fixing by stainless steel straps.

Fixing with galvanised hooks type G



The set is composed by:

- 1 hook M8
- 1 nut M8
- 1 washer

Quantity to be ordered: 4 for each cover.

Ordering code:

CPTA, LG, 60

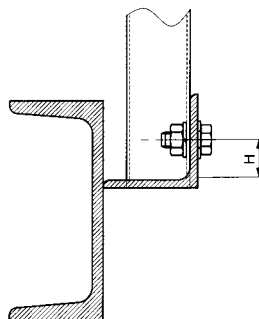
CPTA, LG, 70

CPTA, LG, 80

The values 60, 70 and 80 represent the length "L" of the hook.

At the order time you should determine dimension "H" too.

Fixing with galvanised bolts type B



The set is composed by:

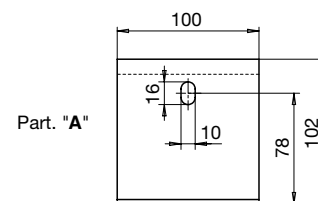
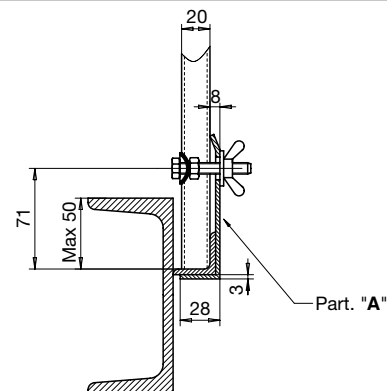
- 1 screw M8x20
- 1 nut M8
- 1 galvanised washer

Quantity to be ordered: 4 for each cover.

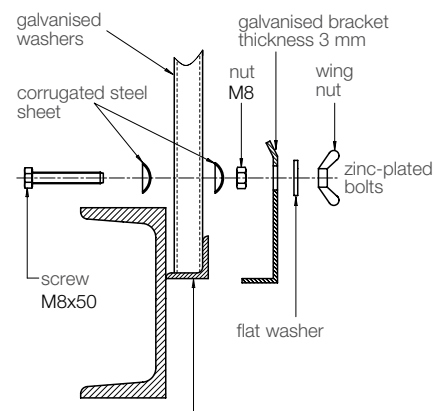
Ordering code: CPTA, BU

At order time you should determine dimension "H" for the punching.

Fixing with bracket type S



Details of the components



suggested support profile dimensions 30x30x4 (not supplied)

The standard supply includes:

- 1 bracket 100x100x3
- 1 screw M8x40
- 1 nut M8
- 1 wing nut
- 2 galvanised washers
- 1 flat washer

Quantity to be ordered:

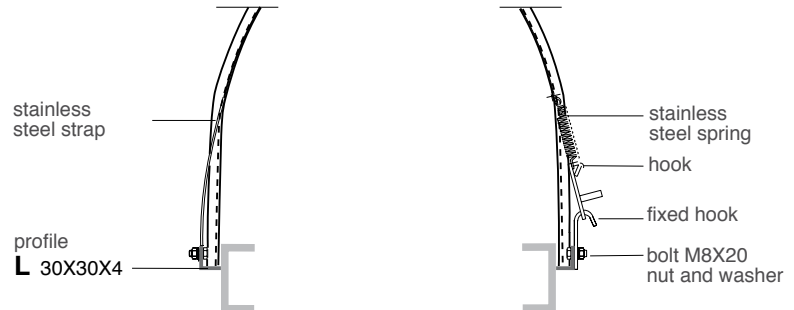
- for belt width up to 800 = 2 for each cover
- for belt width up to 1000 and above = 4 for each cover

Ordering code: CPTA, ST.



6 Covers

Fixing with STAINLESS STEEL straps and hooks type C



Each cover must be fixed by a stainless steel strap of 20 mm width and 0,6 mm thickness.

The steel strap is positioned on top of the section in the lower corrugation.

As shown in the figure and in relation to the section length, the steel strap is positioned and fixed as follows:

- on one side in the angle section drilled to accept bolts and washers M8x20.
- on the other side and in the identical position with a hook fixed to the angle section with a nut and washer M8x20.
- when mounting the stainless steel straps

must be cut at the right dimension and punched.

The standard supply includes:

- 1 strap with stainless steel spring and galvanised hook
- 1 fixed galvanised hook
- 2 galvanised bolts M8x20
- 2 galvanised washers

Width	Nr. of accessories for covers CPTA 1 and CPTA 2	Ordering code of the accessories for removable covers	Ordering code of the accessories for the fixing of CPTA cover
400	1	2	CPT/1F 400 (strap 15020018 – length 2200)
500	1	2	
650	1	2	
800	1	2	
1000	1	2	CPT/5F 1001 (strap 15020040 – length 3200)
1200	2	2	
1400	2	2	
1400	2	2	

Fixing with stainless steel ring hooks type A



It is possible to use stainless steel ring hooks, plates and stainless steel springs on both sides.

Hooks, plates, springs and straps must be ordered separately, stating the wished quantity. Advantages: no punching of the support profile. All the components are completely in stainless steel – anticorrosion. At order time for the related covers please specify the height “H” for punching.

