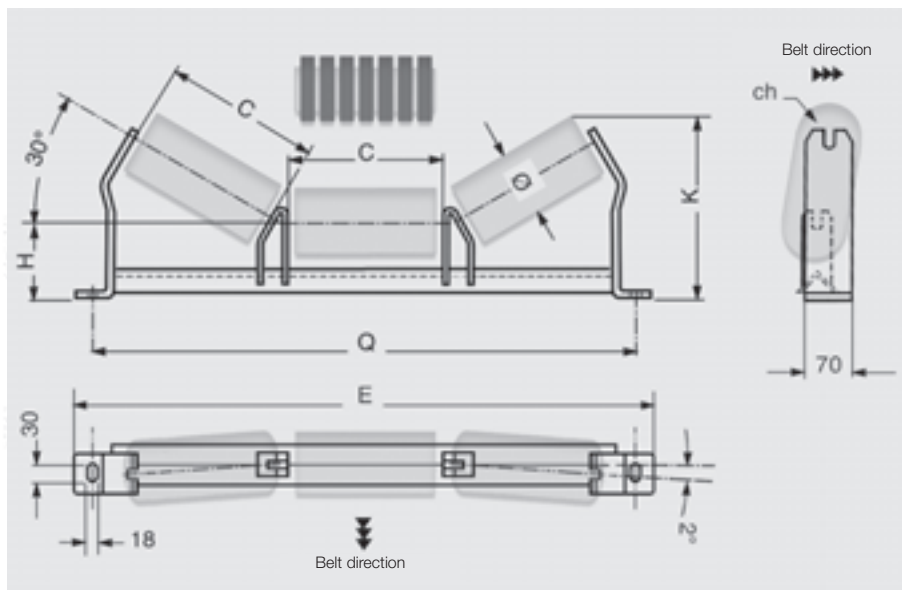


transom A3 L-30°

For light upper troughing sets with three rollers, plain or with impact rings



for rollers series:

MPS

∅ 76, 89, 102
spindle 15
bearing 6202
ch = 17

PL

∅ 90, 110

PLF

∅ 89, 108
spindle 20
bearing 6204
ch = 30; 14

| order codes | belt width mm | roller | | | ch | transom | | | | | weight* without rollers Kg |
|-------------|---------------|---------------------------------|-----|---------|-----|-------------|------|-------|------|-----|----------------------------|
| | | ∅ mm | C | | | capacity Kg | H mm | K max | Q | E | |
| A3 L /1A | 400 | 76 - 89 - 90 102 - 108 - 110 | 168 | 17 - 30 | 286 | 125 | 267 | 640 | 700 | 5.4 | |
| A3 L /01 | 500 | | 208 | | 247 | 125 | 287 | 740 | 800 | 5.9 | |
| A3 L /03 | 650 | | 258 | | 205 | 125 | 312 | 890 | 950 | 6.6 | |
| A3 L /05 | 800 | | 323 | | 167 | 125 | 344 | 1090 | 1150 | 7.5 | |

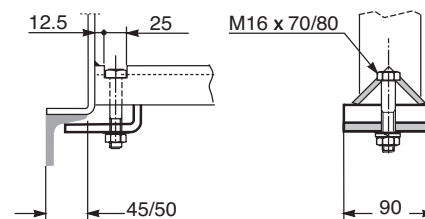
On request transoms may be supplied with different dimensions, characteristics and angles.



A3 L-30° Standard

A3 LT-30° Special design with bracket

for fixing the transom without drilling the main frame



* Add 1.5 kg for the special design with bracket

Example of ordering
A3L/03, 650, F17, YA

for special designs
see pages pag. 200