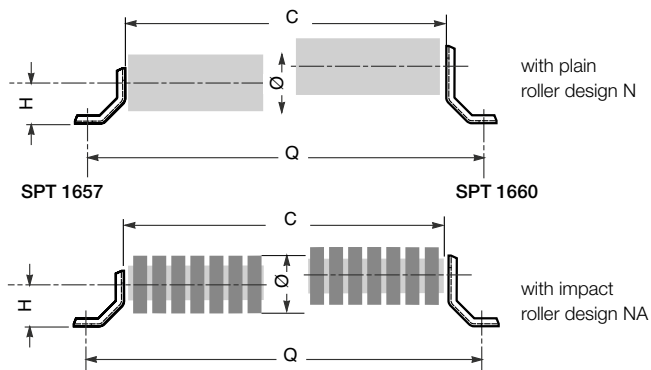


SUPPORT BRACKETS

SPT 1657-1660

For light upper set flat roller, plain or with impact rings.



SPT 1657 for rollers series

RTL
spindle 15
bearing 6202
ch = 17

PSV/1-FHD
spindle 20
bearing 6204
ch = 14

MPS
spindle 15
bearing 6202
ch = 17

Belt width mm	Roller			H		Q mm	Weight of two brackets without rollers	
	Ø	C	ch	SPT 1657	SPT 1660		SPT 1657	SPT 1660
	mm			mm		mm		
300	SPT 1657: 60 ÷ 133 SPT 1660: 60 ÷ 180	388	SPT 1657: 14 - 17 SPT 1660: 14 - 18 - 22	70	100	520	0.7	1.5
400		508		70	100	640	0.7	1.5
500		608		70	100	740	0.7	1.5
650		758		70	100	890	0.7	1.5
800		958		70	100	1090	0.7	1.5
1000		1158		70	100	1290	0.7	1.5
1200		1408		70	100	1540	0.7	1.5
1400		1608		70	100	1740	0.7	1.5

SPT 1660 for rollers series

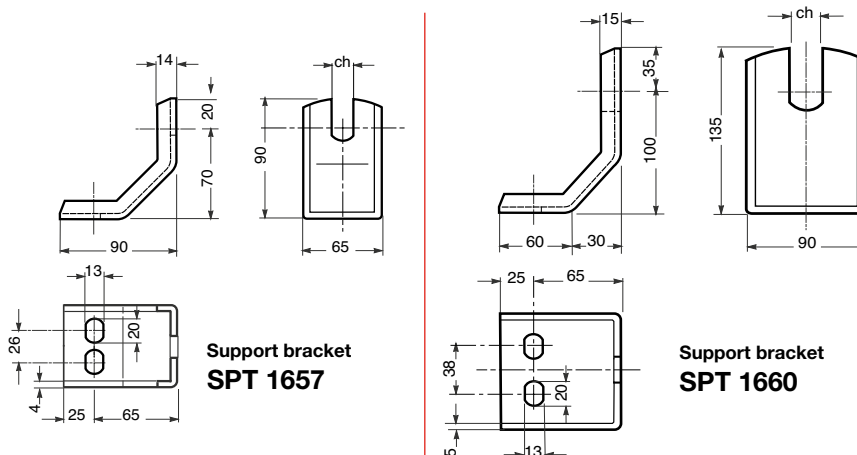
PSV/1-FHD
spindle 20
bearing 6204
ch = 14

PSV/4-FHD
spindle 30
bearing 6206
ch = 22

PSV/2-FHD
spindle 25
bearing 6205
ch = 18

PSV/5-FHD
spindle 30
bearing 6306
ch = 22

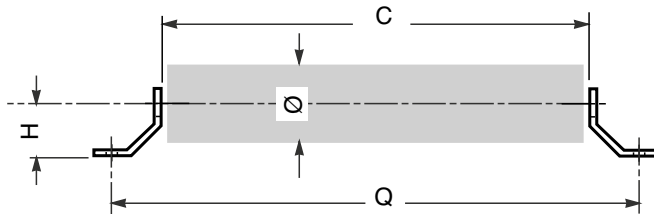
PSV/3-FHD
spindle 25
bearing 6305
ch = 18



Example of ordering:
support bracket SPT 1657, F17, YA
See page 14.

SUPPORT BRACKETS SPT 070

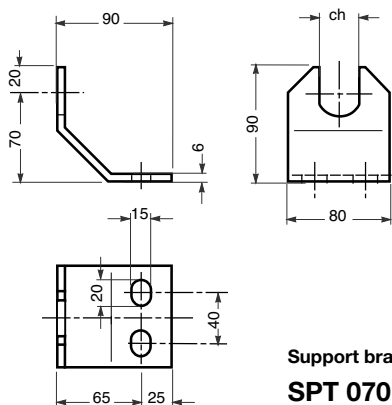
For upper set flat roller PL.



For rollers series

PL
 ø 90, 110, 140
 spindle 20
 bearing 6204
 ch = 30

Belt width mm	Roller			H mm	Q mm	Weight of two brackets without rollers mm
	Ø	C	ch			
	mm					
300	90-110-140	388	30	70	520	1.0
400		508		70	640	1.0
500		608		70	740	1.0
650		758		70	890	1.0
800		958		70	1090	1.0
1000		1158		70	1290	1.0
1200		1408		70	1540	1.0



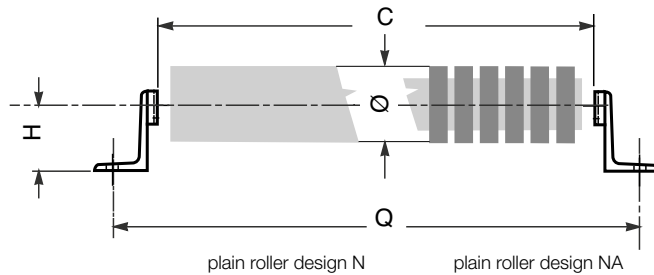
**Support bracket
SPT 070**

Example of ordering:
 support bracket SPT 070, F30, YC
 See page 14.

SUPPORT BRACKETS

SPT 1795

For upper set heavy flat roller, plain or with impact rings.



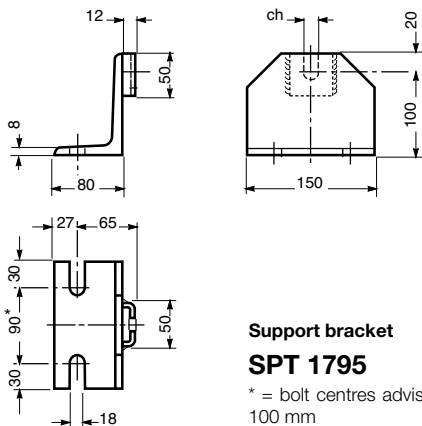
For rollers series

PSV/1-FHD
 ø 89,108,133
 spindle 20
 bearing 6204
 ch = 14

PSV/2-FHD
 ø 108,133,159
 spindle 25
 bearing 6205
 ch = 18

PSV/4-FHD
 ø 108,133,159
 spindle 30
 bearing 6206
 ch = 22

Belt width mm	Roller			H mm	Q mm	Weight of two brackets without rollers mm
	Ø	C	ch			
500	89-108-133-159	608	14-18-22	100	740	3.7
650		758		100	890	3.7
800		958		100	1090	3.7
1000		1158		100	1290	3.7
1200		1408		100	1540	3.7
1400		1608		100	1740	3.7
1600		1808		100	1940	3.7
1800		2008		100	2140	3.7
2000		2208		100	2340	3.7



Support bracket

SPT 1795

* = bolt centres advised
 100 mm

Example of ordering:

support bracket SPT 1795, F22, Z
 See page 14.