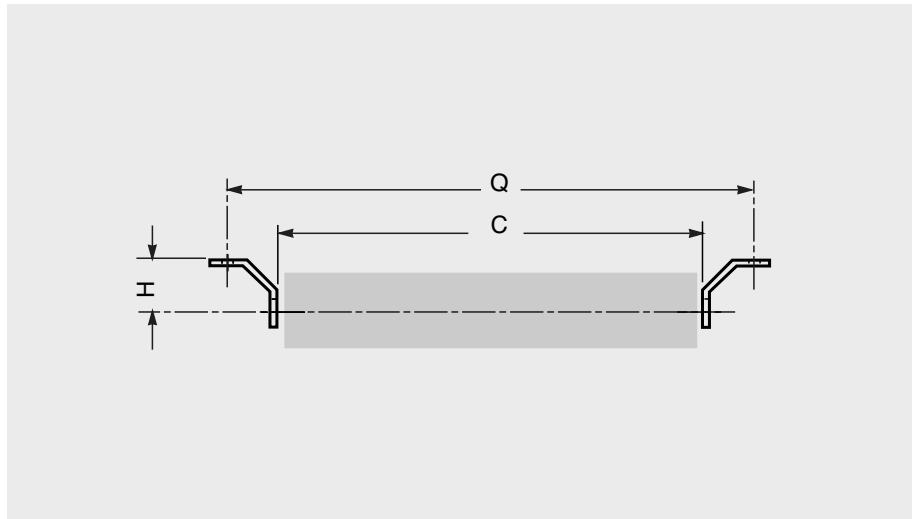


### 3 Troughing sets

## Support brackets SPT 243

For flat return roller PL.

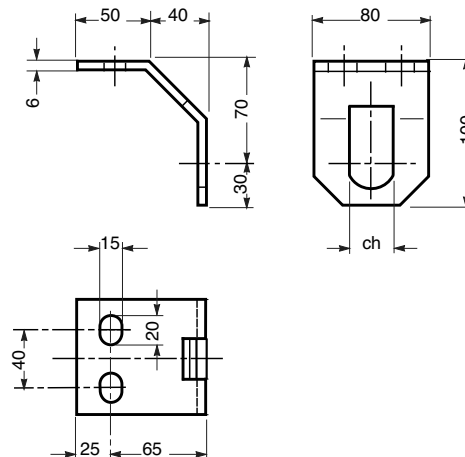


for rollers series

**PL**  
 ø 90, 110, 140  
 spindle 20  
 bearing 6204  
 ch = 30

Belt width mm	Roller		H mm	Q mm	Weight of two brackets without rollers mm
	Ø	C mm			
300	90-110-140	388	70	520	1.0
400		508	70	640	1.0
500		608	70	740	1.0
650		758	70	890	1.0
800		958	70	1090	1.0
1000		1158	70	1290	1.0
1200		1408	70	1540	1.0

### Support bracket SPT 243



**Example  
of ordering:**  
 support bracket  
 SPT 243, F30, Z  
 See page 198.