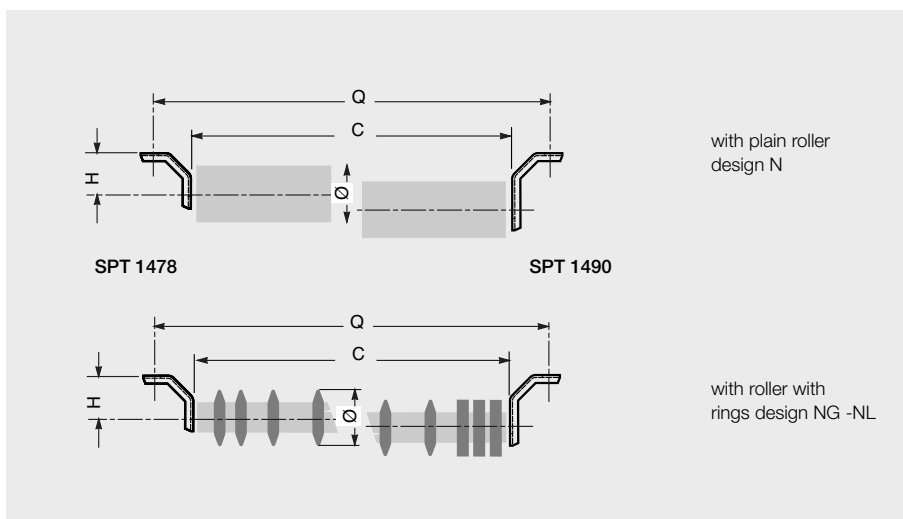


## Support brackets SPT 1478 - 1490

For light upper set flat roller,  
plain or with impact rings.



with plain roller  
design N

with roller with  
rings design NG -NL

### SPT 1478 for rollers series

#### RTL

spindle 15  
bearing 6202  
ch = 17

#### PSV/1-FHD

spindle 20  
bearing 6204  
ch = 14

#### MPS

spindle 15  
bearing 6202  
ch = 17

Belt width mm	Roller			H		Q mm	Weight of two brackets without rollers	
	Ø	C mm	ch	SPT 1478 mm	SPT 1490 mm		SPT 1478 mm	SPT 1490 mm
300		388		70	100	520	0.7	1.5
400	SPT 1478: 60 ÷ 133 SPT 1490: 60 ÷ 180	508	SPT 1478: 14 - 17 SPT 1490: 14 - 18 - 22	70	100	640	0.7	1.5
500		608		70	100	740	0.7	1.5
650	758	70		100	890	0.7	1.5	
800	958	70		100	1090	0.7	1.5	
1000	1158	70		100	1290	0.7	1.5	
1200	1408	70		100	1540	0.7	1.5	
1400	1608	70	100	1740	0.7	1.5		

### SPT 1490 for rollers series

#### PSV/1-FHD

spindle 20  
bearing 6204  
ch = 14

#### PSV/4-FHD

spindle 30  
bearing 6206  
ch = 22

#### PSV/2-FHD

spindle 25  
bearing 6205  
ch = 18

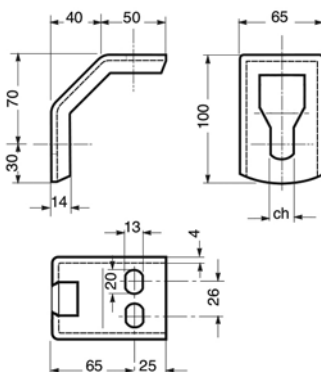
#### PSV/5-FHD

spindle 30  
bearing 6306  
ch = 22

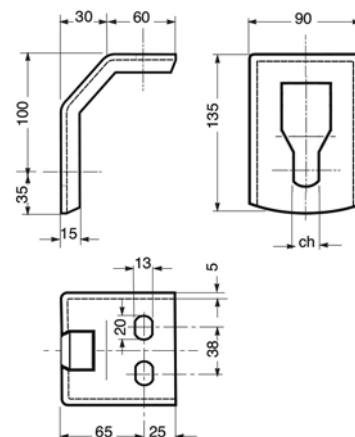
#### PSV/3-FHD

spindle 25  
bearing 6305  
ch = 18

#### Support bracket SPT 1478



#### Support bracket SPT 1490



**Example  
of ordering:**  
support bracket  
SPT 1478, F14  
See page 198.