

transom
self-centralising model R

Q2 L

Q2 P

return model with fixed lever-arm and brake for reversible belts.

Guide rollers type PSV/G7-NCD 20S18 60N 100 have to be ordered separately.

Q2 L

for rollers series:

MPS

∅ 76, 89, 102
spindle 15
bearing 6202
ch = 17

PSV/1-FHD

∅ 89, 108, 133
spindle 20
bearing 6204
ch = 14

Q2 P

for rollers series:

PSV/2-FHD

∅ 133
spindle 25
bearing 6205
ch = 18

PSV/7-FHD

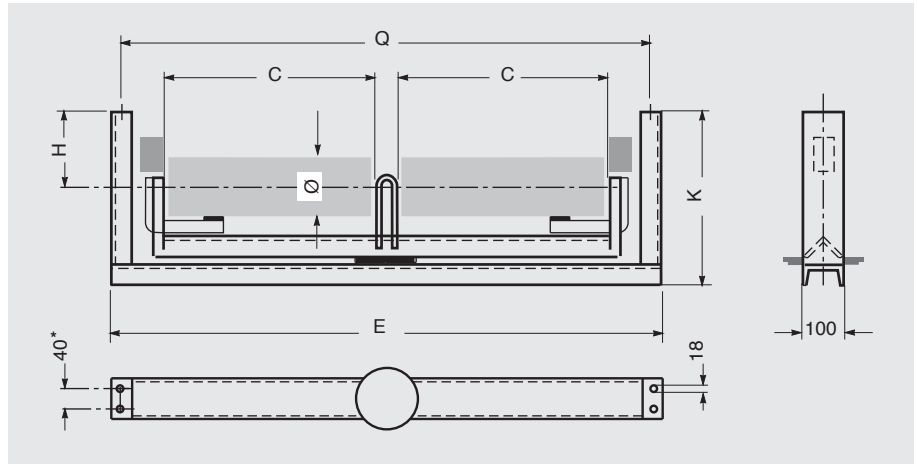
∅ 159, 194
spindle 40
bearing 6308
ch = 32

PSV/4-FHD

∅ 159
spindle 30
bearing 6206
ch = 22

Return roller and guide rollers type PSV/G7-NCD 20S18 60N 100 have to be ordered separately.

Example of ordering
Q2L, 1000, F 14, 133, YA
Q2R, 1200, F 18, 159, YB



belt width mm	roller		self-centralising transom					weight without rollers Kg	
	∅ mm	C	ch	capacity Kg	H mm	K _{max}	Q		E
400	76-89-102 108-133	198	14 - 17	175	70	259	640	700	22.7
500		248		143	70	259	740	800	24.1
650		323		197	70	267	890	950	27.1
800		408		158	70	267	1090	1150	30.8
1000		508		209	70	275	1290	1350	36.4
1200		608		167	70	275	1540	1600	40.5

belt width mm	roller		self-centralising transom					weight without rollers Kg	
	∅ mm	C	ch	capacity Kg	H mm	K _{max}	Q		E
800	133	408	18 - 22	158	150	367	1090	1150	33.2
1000		508		209	150	375	1290	1350	38.8
1200		608		167	150	375	1540	1600	43.0
1400		708		296	150	389	1740	1800	52.3
1600		808		262	150	389	1940	2000	56.6

belt width mm	roller		self-centralising transom					weight without rollers Kg	
	∅ mm	C	ch	capacity Kg	H mm	K _{max}	Q		E
800	159	408	18 - 22 - 32	158	150	387	1090	1150	34.3
1000		508		209	150	395	1290	1350	39.9
1200		608		167	150	395	1540	1600	44.1
1400		708		296	150	409	1740	1800	53.4
1600		808		262	150	409	1940	2000	57.7
1800	159-194	908	18 - 22 - 32	351	175	473	2190	2290	87.5
2000		1008		318	175	473	2420	2520	94.2
2200		1108		440	175	490	2620	2720	117.1