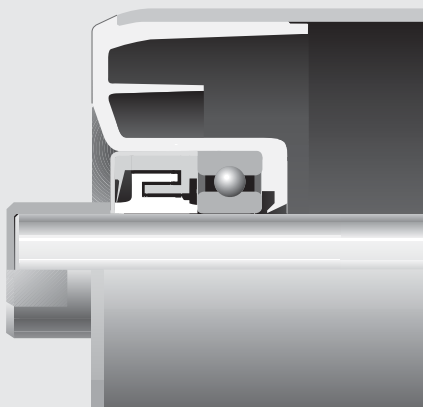




2 Rollers

series RTL 1




Section through seal

Ø 60 N

Bearing 6202
(15 x 35 x 11)

d = 15
d₁ = 20
ch = 17 *
s = 2
e = 4
g = 9

*ch = 14 upon
request

belt width mm	roller dimensions mm			weight Kg		load capacity daN					
	B	C	A	rotating parts	total	belt speed m/s					
arrangements 						0.4	0.6	0.8	1	1.25	1.5
400	160	168	186	0.6	0.9	113	99	90	83	77	73
300 500	200	208	226	0.8	1.1	113	99	90	83	77	73
400 650	250	258	276	0.9	1.3	113	99	90	83	77	73
500 800	315	323	341	1.1	1.6	113	99	90	83	77	73
300 650 1000	380	388	406	1.3	1.8	113	99	90	83	77	73
800	465	473	491	1.5	2.2	113	99	90	83	77	73
400	500	508	526	1.6	2.3	108	99	90	83	77	73
500 1000	600	608	626	1.9	2.8	89	89	89	83	77	73
650	750	758	776	2.3	3.4	71	71	71	71	71	71
800	950	958	976	2.9	4.3	57	57	57	51	51	51
1000	1150	1158	1176	3.5	5.1	48	48	48	48	48	48

The indicated load capacity relates to a project working of 10,000 hours.

Example of ordering
standard design
RTL1,15B,60N,258

for special designs
see pages 80-81