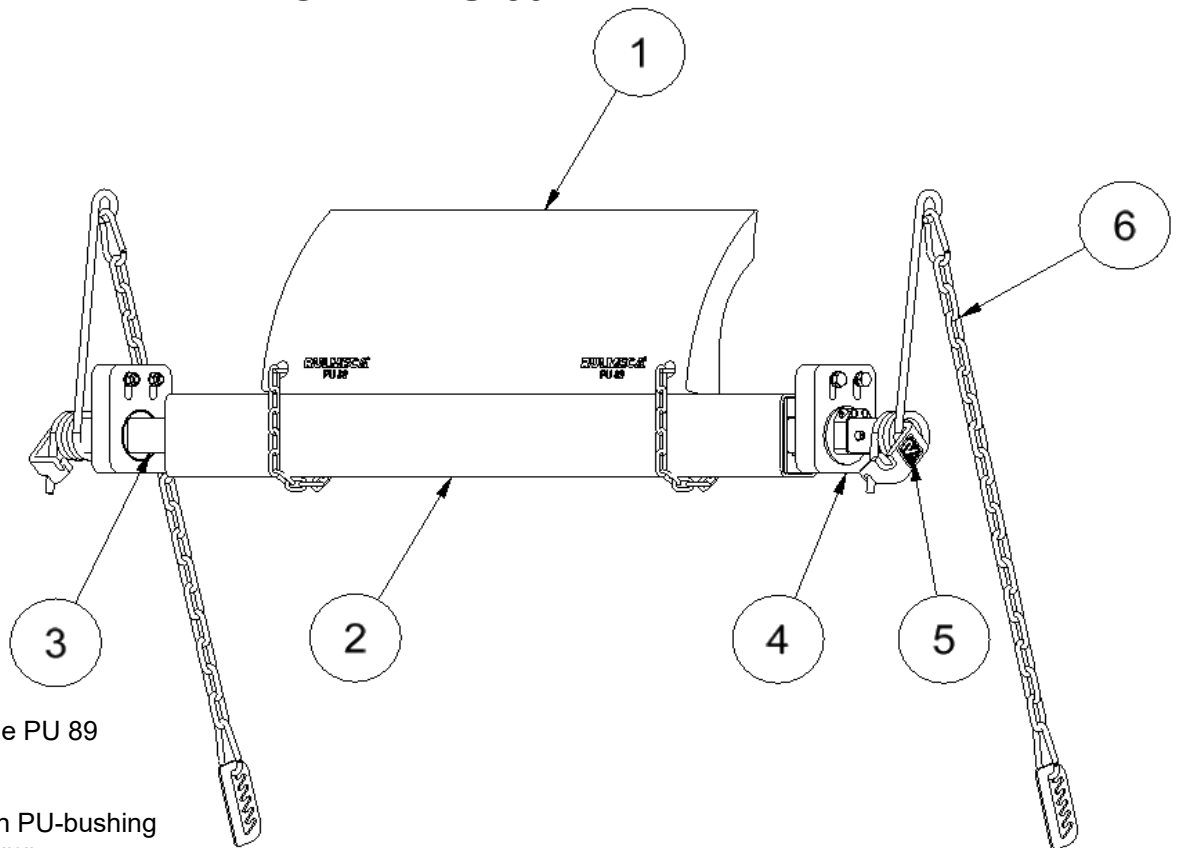


FITTING THE PU-89



1. Scraper blade PU 89
2. Beam
3. Beam end
4. Holder H with PU-bushing and hose clamp
5. Fixing plate for leverarm
6. Torsion leverarm and chain with snap hook and toothed washer.

All steel parts are electro-galvanized

GENERAL INFORMATION

The PU 89 is a robust pre-scraper that effectively cleans conveyor belts in difficult operating environments. The scraper blade is a resilient polyurethane blade that adapts to the shape of the conveyor belt. Worn out scraper blades can easily be changed without using any tools. It has a simple design with a minimum of moving parts.

IMPORTANT

In order to achieve the best scraping results, the following conditions must be met:

- The conveyor belt must be free of damage. The belt may otherwise catch on the scraper blade (1), resulting in a breakdown.
- Make sure that large pieces of material cannot bounce up and catch between the belt and the beam (2), causing damage to the belt.
- The scraper must not be fitted to chevron belts or belts with mechanical joints.
- Max. belt speed: **6** m/s
- Max. temperature: + 50°C in wet environments
- Max. temperature: + 85°C in dry environments (ambient temperature + frictional heat)

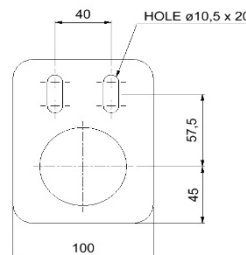
CAUTION

Always turn off the belt conveyor before installing or carrying out maintenance on the scraper. Make sure that the belt cannot start while this work is in progress.

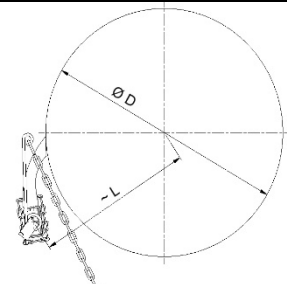
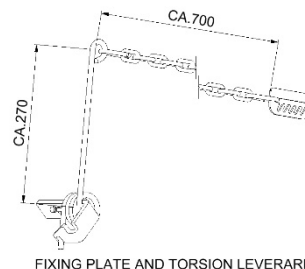
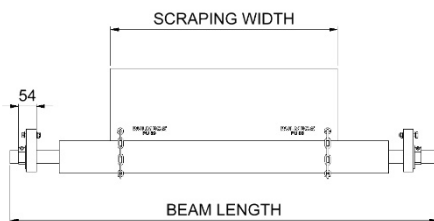
FITTING

1.	The scraper is placed against the drive pulley with the centre of the beam (2) at a radius (L-measure) from the centre of the pulley. The slope of the conveyor, the speed of the belt and the space available determine how high the scraper is placed on the pulley.
2.	PLEASE NOTE: the flow of material must not hit directly the blade (1)
3.	Secure the scraper blade by running the short chains through the blade dedicated holes and around the beam. Lock with the snap hooks
4.	Lead in both beam ends (3) into the main beam (2)
5.	Slip the hose clamps, the PU bushes and the holders (4) onto the beam (2)
6.	Make two mounting plates (=flat bars with two holes Ø11 mm) and weld these to the frame. We suggest that they are attached in the vicinity of the drive pulley bearings
7.	Bolt the holders (4) to the mounting plates using the bolts supplied
8.	Centre the scraper on the pulley and lock the beam laterally using the hose clamps. Cut the beam ends to a suitable length
9.	Mount the Torsion lever arm (6) onto the fixing plate (5). Make sure that the short spring pin locks in the notch on the fixing plate
10.	Insert the fixing plate (5) into the end of the beam (2). Drill a hole (Ø7 mm) right through the square tube and lock the fixing plate (5) using an M6 x 50 mm bolt
11.	Weld the square washer to the frame. Set the lever arm (6) and hook the snap hook onto the square washer. Find the optimal pressure, which is often low, by trial and error

B-W	SCRAPING WIDTH	BEAM LENGTH
650	545	850
800	695	1300
1000	895	1500
1200	1095	1700
1400	1295	1900



PULLEY	L-MESSURE
Ø400	290
Ø500	330
Ø630	390
Ø800	545
Ø1000	640



MAINTENANCE

Inspect and clean the scraper regularly– we suggest once a week.

If sticky material is collected between the belt and the scraper blade so that the blade is pushed out from the belt, the beam may be moved out 10-20 mm.

Readjust the scraper pressure to achieve optimal cleaning. There must be no vibrations or noise. However, vibrations may arise when the belt is run without material or when the belt has a sort of coating, for example resin. In the long term, vibrations may result in cracking of the beam. These must therefore be eliminated.

Try therefore to:

- change the angle of the blade against the belt with a few degrees.
- change the pressure of the blade against the belt.
- make a more robust attachment to the frame.
- increase the mass of the beam (2) by, for example, fitting a small lever arm/ weight to the beam (2).

WARRANTY

Damage to the scraper caused by incorrect handling or in connection with incorrect installation cannot be considered to be covered by warranty if these instructions have not been followed. We therefore accept no claims for any consequential damage or loss.