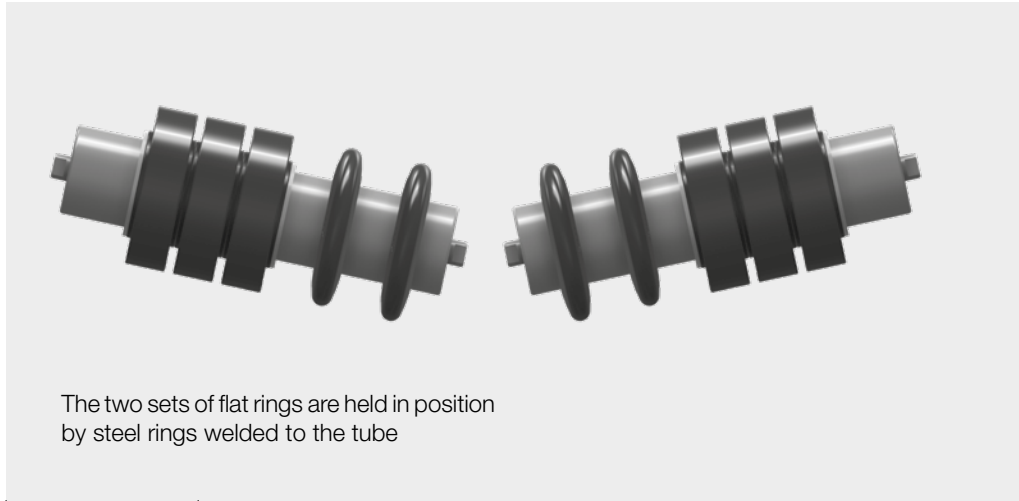


2 Rollers

series with rings



Øe 108 NC

Base roller:

PSV/1-FHD

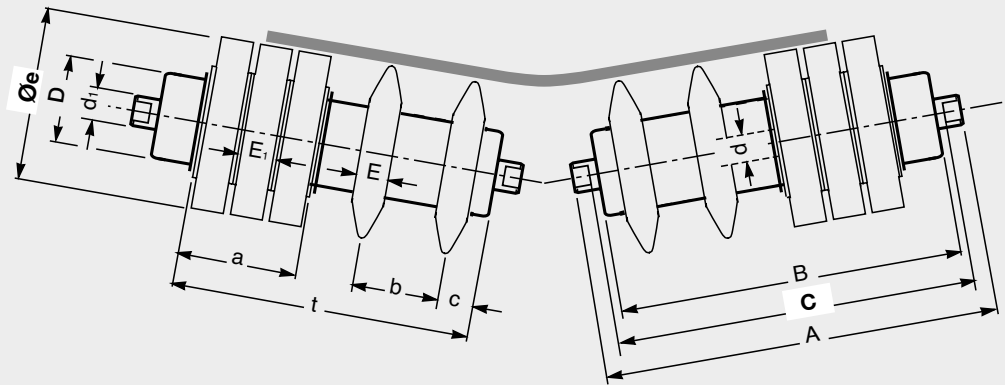
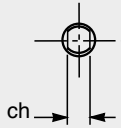
D = 63;
spindle 20; d₁ = 20
bearing 6204
ch = 14

belt	roller			weight Kg	rings n°	
	width mm	dimensions mm				PSV/1-FHD
		B	C	A		
300	200	208	226	2.8	3	
400	250	258	276	3.1	3	
500	315	323	341	3.7	4	
650	380	388	406	4.2	4	
800	465	473	491	4.9	5	
1000	600	608	626	6.1	6	
1200	700	708	726	7.0	7	
1400	800	808	826	7.9	8	

roller length C mm	rings						side central n°	
	a mm	b	c	t	E	E ₁		
208	90	60	25	175	25	45	2	1
258	90	80	25	195	25	45	2	1
323	90	70	25	255	25	45	2	2
388	90	90	30	300	25	45	2	2
473	90	95	30	405	25	45	2	3
608	135	110	40	505	25	45	3	3
708	135	105	40	595	25	45	3	4
808	180	120	40	700	25	45	4	4

Example of ordering
standard design
PSV/1-FHD,20F,108NC,608

for special designs
see pages 80-81



Øe 133 NC

Base roller:

PSV/1-FHD

D = 89;
spindle 20; d₁ = 20
bearing 6204
ch = 14

PSV/2-FHD

D = 89;
spindle 25; d₁ = 25
bearing 6205
ch = 18

PSV/4-FHD

D = 89;
spindle 30; d₁ = 30
bearing 6206
ch = 22

Example of ordering
standard design
PSV/2-FHD,25F,133NC,808

for special designs
see pages 80-81

belt	roller			weight Kg	rings n°			
	width mm	dimensions mm						
arrangement	B	C	A	PSV/1-FHD	PSV/2-FHD	PSV/4-FHD	total	
	500	315	323	*	4.8		5	
	650	380	388	*	5.4	6.5	5	
	800	465	473	*	6.5	7.7	9.1	6
	1000	600	608	*	7.9	9.3	10.9	7
	1200	700	708	*	9.1	10.6	12.4	8
	1400	800	808	*	10.0	11.7	13.6	8
	1600	900	908	*	11.2	13.0	15.1	9
	1800	1000	1008	*		14.0	16.3	10
	2000	1100	1108	*			17.8	11

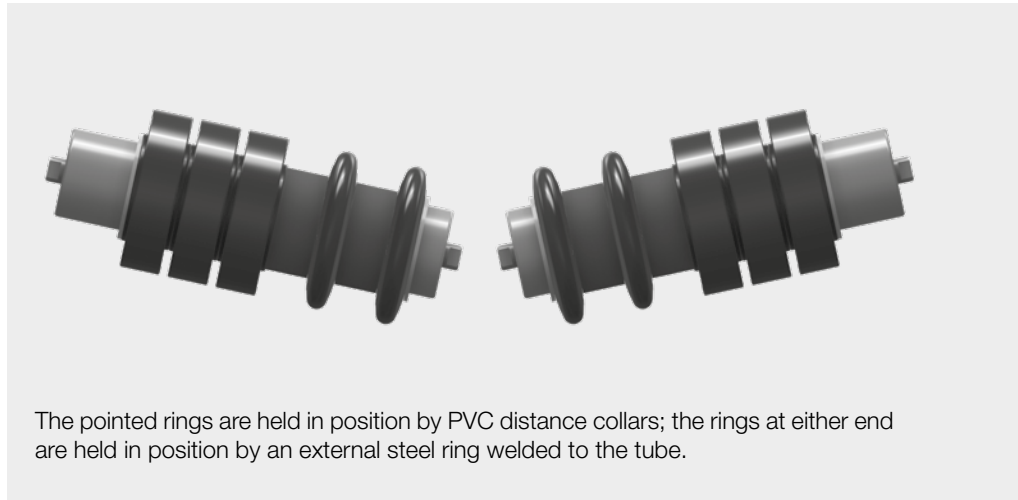
* in relation to the choice of base roller

roller length C mm	rings						side n°	central n°
	a	b	c	t	E	E ₁		
323	105	70	30	275	30	35	3	2
388	105	85	30	305	30	35	3	2
473	105	90	30	405	30	35	3	3
608	140	105	40	495	30	35	4	3
708	140	105	40	600	30	35	4	4
808	140	130	40	700	30	35	4	4
908	140	125	40	805	30	35	4	5
1008	140	120	50	910	30	35	4	6
1108	140	120	50	1030	30	35	4	7

2 Rollers

series with rings

NOTE: A different product configuration is available (see catalogue: "Return rollers with rubber rings VARIANT" available on rulmeca.com). Please get in touch with your Rulmeca contact person to check the availability of the product configuration in your country.



The pointed rings are held in position by PVC distance collars; the rings at either end are held in position by an external steel ring welded to the tube.

Øe 159 NC

Base roller:

PSV/1-FHD

D = 89;
spindle 20; d₁ = 20
bearing 6204
ch = 14

PSV/2-FHD

D = 89;
spindle 25; d₁ = 25
bearing 6205
ch = 18

PSV/4-FHD

D = 89;
spindle 30; d₁ = 30
bearing 6206
ch = 22

Example of ordering
standard design
PSV/2-FHD,25F,159NC,908

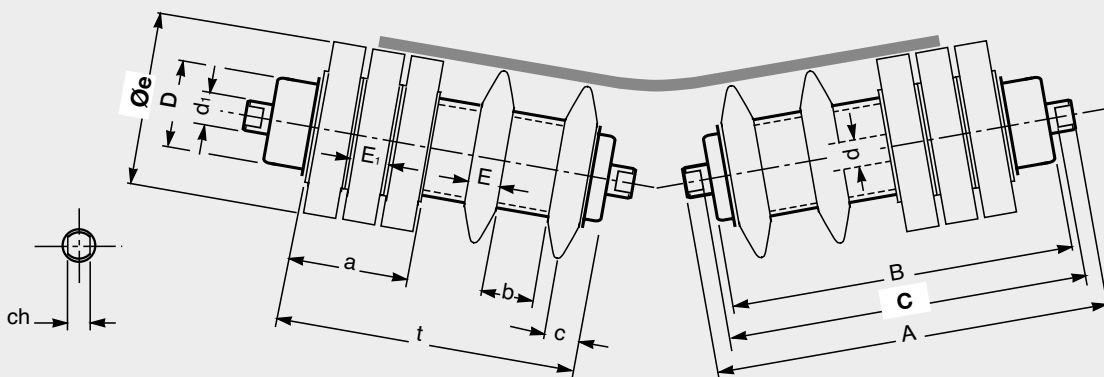
for special designs
see pages 80-81

belt width mm	roller dimensions mm			weight Kg			rings n°
	B	C	A	PSV/1-FHD	PSV/2-FHD	PSV/4-FHD	total
500	315	323	*	5.5			4
650	380	388	*	6.1	6.8		4
800	465	473	*	7.2	8.1	9.4	5
1000	600	608	*	9.0	10.1	11.6	6
1200	700	708	*	10.3	11.4	13.2	7
1400	800	808	*	11.2	12.5	14.4	7
1600	900	908	*	12.4	13.9	16.0	8
1800	1000	1008	*		15.3	17.5	9
2000	1100	1108	*			18.9	10

* in relation to the choice of base roller

roller length C mm	rings						side central n°	
	a mm	b	c	t	E	E ₁	side	central
323	100	40	30	253	30	50	2	2
388	100	65	30	303	30	50	2	2
473	100	65	30	396	30	50	2	3
608	150	85	40	516	30	50	3	3
708	150	85	40	629	30	50	3	4
808	150	110	40	729	30	50	3	4
908	150	100	40	817	30	50	3	5
1008	150	95	50	925	30	50	3	6
1108	150	95	50	1048	30	50	3	7

NOTE: A different product configuration is available (see catalogue: "Return rollers with rubber rings VARIANT" available on rulmecca.com). Please get in touch with your Rulmecca contact person to check the availability of the product configuration in your country.



Øe 180 NC

Base roller:

PSV/1-FHD

D = 108;
spindle 20; d₁ = 20
bearing 6204
ch = 14

PSV/7-FHD

D = 108;
spindle 40; d₁ = 40
bearing 6308
ch = 32

PSV/2-FHD


D = 108;
spindle 25; d₁ = 25
bearing 6205
ch = 18

PSV/4-FHD

D = 108;
spindle 30; d₁ = 30
bearing 6206
ch = 22

Example of ordering
standard design
PSV/2-FHD,25F,180NC,908

for special designs
see pages 80-81

belt	roller				weight				rings n°
	width mm	dimensions mm			Kg				
arrangement									
	B	C	A	PSV/1-FHD	PSV/2-FHD	PSV/4-FHD	PSV/7-FHD	total	
800	465	473	*	10.2	11.0	12.4	16.8	6	
1000	600	608	*	12.5	13.5	15.1	20.0	7	
1200	700	708	*	14.2	15.4	17.2	22.4	8	
1400	800	808	*	15.4	16.7	18.6	24.3	8	
1600	900	908	*	17.2	18.6	20.7	26.7	9	
1800	1000	1008	*		20.5	22.8	29.1	10	
2000	1100	1108	*			24.9	31.6	11	
2200	1250	1258	*			27.7	34.9	12	

* in relation to the choice of base roller

roller length C mm	rings						side central n°	
	a	b	c	t	E	E _i		
473	120	60	45	435	40	40	3	3
608	160	70	45	515	40	40	4	3
708	160	75	45	645	40	40	4	4
808	160	100	45	745	40	40	4	4
908	160	90	45	835	40	40	4	5
1008	160	85	55	945	40	40	4	6
1108	160	85	55	1070	40	40	4	7
1258	160	85	55	1195	40	40	4	8