



3 Troughing sets "garland" series GS3

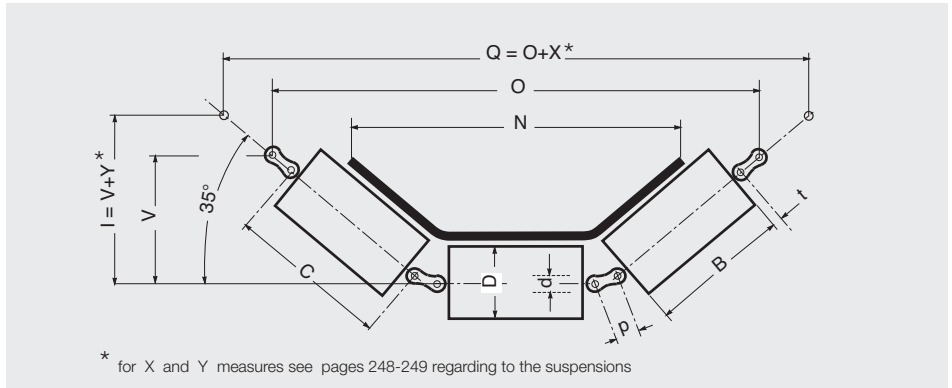


The diameters and types of rollers in the table are those advised for suspended sets with three rollers, for different widths of belt. The diameter of the roller is chosen from those possible for the type of roller considered (see chapter 2 rollers) and must be suitable for the speed and load capacity of the belt (see chapter 2 para. 2.3 selection method). Rollers that may be utilised to comprise the "garland" GS3 must be from the series PSV, TOP, PL, PLF, exceptionally, and only where absolutely necessary, with impact rings (see chapter 2, impact rollers).

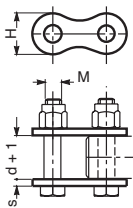
belt width mm	roller		B	C	A	type	bearing	V	O	spindle		type of suspensions
	D mm									d	p	
500	63-89	108-133	200	228	248	PSV/1-FHD	6204	153	692	20	25.40	A-C
			200	232	256	PSV/2-FHD	6205	161	725	25	31.75	A-C
			200	232	256	PSV/3-FHD	6305	161	725	25	31.75	A-C
			200	240	272	PSV/4-FHD	6206	171	768	30	38.10	B-C-E
650	63-89	108-133	250	278	298	PSV/1-FHD	6204	182	824	20	25.40	A-C
			250	282	306	PSV/2-FHD	6205	190	857	25	31.75	A-C
			250	282	306	PSV/3-FHD	6305	190	857	25	31.75	A-C
			250	290	322	PSV/4-FHD	6206	200	900	30	38.10	B-C-E
800	63-89	108-133-159	315	343	363	PSV/1-FHD	6204	219	995	20	25.40	A-C
			315	347	371	PSV/2-FHD	6205	227	1028	25	31.75	A-C
			315	347	371	PSV/3-FHD	6305	227	1028	25	31.75	A-C
			315	355	387	PSV/4-FHD	6206	237	1072	30	38.10	B-C-E
1000	63-89	108-133-159	380	408	428	PSV/1-FHD	6204	256	1166	20	25.40	A-C
			380	412	436	PSV/2-FHD	6205	264	1200	25	31.75	A-C
			380	412	436	PSV/3-FHD	6305	264	1200	25	31.75	A-C
			380	420	452	PSV/4-FHD	6206	274	1243	30	38.10	B-C-E
1200	89-108	133-159	465	493	513	PSV/1-FHD	6204	305	1391	20	25.40	A-C
			465	497	521	PSV/2-FHD	6205	313	1424	25	31.75	A-C
			465	497	521	PSV/3-FHD	6305	313	1424	25	31.75	A-C
			465	505	537	PSV/4-FHD	6206	323	1467	30	38.10	B-C-E
			465	509	541	PSV/7-FHD	6308	331	1501	40	44.45	B-C-E
1400	89-108	133-159-194	530	558	578	PSV/1-FHD	6204	342	1562	20	25.40	A-C
			530	562	586	PSV/2-FHD	6205	350	1595	25	31.75	A-C
			530	562	586	PSV/3-FHD	6305	350	1595	25	31.75	A-C
			530	570	602	PSV/4-FHD	6206	360	1639	30	38.10	B-C-E
			530	574	606	PSV/7-FHD	6308	368	1672	40	44.45	B-C-E

Example of ordering
 standard design
 GS3,1200/PSV/4-FHD,30K,133N,C=505

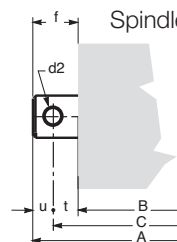
specify type of suspensions
 (see page 248-249 for available types)



belt width mm	roller D mm	B	C	A	type	bearing	V	O	spindle		type of suspensions
									d	p	
1600	89-108 133-159-194	600	632	656	PSV/2-FHD	6205	390	1780	25	31.75	A-C
		600	632	656	PSV/3-FHD	6305	390	1780	25	31.75	A-C
		600	640	672	PSV/4-FHD	6206	400	1824	30	38.10	B-C-E
		600	644	676	PSV/7-FHD	6308	408	1857	40	44.45	B-C-E
1800	108-133 159-194	670	702	726	PSV/2-FHD	6205	430	1965	25	31.75	A-C
		670	702	726	PSV/3-FHD	6305	430	1965	25	31.75	A-C
		670	710	742	PSV/4-FHD	6206	441	2008	30	38.10	B-C-E
		670	710	742	PSV/5-FHD	6306	441	2008	30	38.10	B-C-E
		670	714	746	PSV/7-FHD	6308	448	2041	40	44.45	B-C-E
2000	133 159-194	750	790	822	PSV/4-FHD	6206	486	2219	30	38.10	B-C-E
		750	790	822	PSV/5-FHD	6306	486	2219	30	38.10	B-C-E
		750	794	826	PSV/7-FHD	6308	494	2252	40	44.45	B-C-E
2200	133 159-194	800	840	872	PSV/4-FHD	6206	515	2351	30	38.10	B-C-E
		800	840	872	PSV/5-FHD	6306	515	2351	30	38.10	B-C-E
		800	844	876	PSV/7-FHD	6308	523	2384	40	44.45	B-C-E
2400	133 159-194	900	940	972	PSV/4-FHD	6206	572	2615	30	38.10	B-C-E
		900	940	972	PSV/5-FHD	6306	572	2615	30	38.10	B-C-E
		900	944	976	PSV/7-FHD	6308	580	2648	40	44.45	B-C-E
2600	159 194	950	944	1026	PSV/7-FHD	6308	609	2780	40	44.45	B-C-E



d	20	25	30	40
s	3	4	5	6
H	21	24	30	36
M	8	10	14	16



d	20	25	30	40
u	10	12	16	16
t	14	16	20	22
f	24	28	36	38
d2	8,3	10,3	14,5	16,5