



3 Troughing sets "garland" series GS2



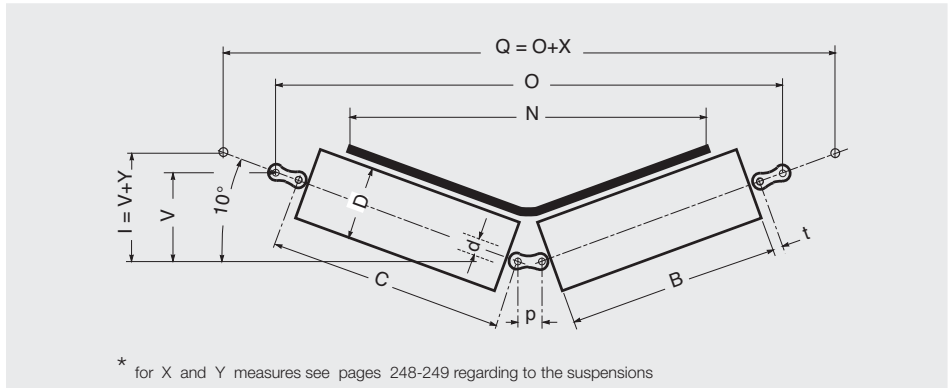
The diameters and types of rollers in the table are those advised for suspended sets with two rollers, for different widths of belt. The diameter of the roller is chosen from those possible for the type of roller considered (see chapter 2 rollers) and must be suitable for the speed and load capacity of the belt (see chapter 2 para. 2.3 selection method).

Rollers that may be utilised to comprise the "garland" GS2 must be from the series PSV, TOP, PL, PLF, and where needed, with return rings (see chapter 2, rollers with rings).

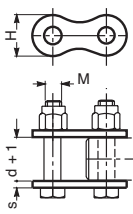
belt width mm	roller D mm	B	C	A	type	bearing			spindle		type of suspensions
						V	O	d	p		
500	63-89 108-133	315	343	363	PSV/1-FHD	6204	64	751	20	25.40	A-C-F
		315	347	371	PSV/2-FHD	6205	66	778	25	31.75	A-C-F
		315	347	371	PSV/3-FHD	6305	66	778	25	31.75	A-C-F
650	63-89 108-133	380	408	428	PSV/1-FHD	6204	75	879	20	25.40	A-C-F
		380	412	436	PSV/2-FHD	6205	77	906	25	31.75	A-C-F
		380	412	436	PSV/3-FHD	6305	77	906	25	31.75	A-C-F
		380	420	452	PSV/4-FHD	6206	80	940	30	38.10	B-C-F
800	63-89-108 133-159	465	493	513	PSV/1-FHD	6204	90	1046	20	25.40	A-C-F
		465	497	521	PSV/2-FHD	6205	92	1073	25	31.75	A-C-F
		465	497	521	PSV/3-FHD	6305	92	1073	25	31.75	A-C-F
		465	505	537	PSV/4-FHD	6206	94	1108	30	38.10	B-C-F
1000	63-89-108 133-159	600	628	648	PSV/1-FHD	6204	113	1312	20	25.40	A-C-F
		600	632	656	PSV/2-FHD	6205	115	1339	25	31.75	A-C-F
		600	632	656	PSV/3-FHD	6305	115	1339	25	31.75	A-C-F
		600	640	672	PSV/4-FHD	6206	118	1374	30	38.10	B-C-F
1200	89-108 133-159	700	728	748	PSV/1-FHD	6204	131	1509	20	25.40	A-C-F
		700	732	756	PSV/2-FHD	6205	133	1536	25	31.75	A-C-F
		700	732	756	PSV/3-FHD	6305	133	1536	25	31.75	A-C-F
		700	740	772	PSV/4-FHD	6206	135	1571	30	38.10	B-C-F
		700	744	776	PSV/7-FHD	6308	137	1597	40	44.45	B-C-F
1400	89-108 133-159-194	800	828	848	PSV/1-FHD	6204	148	1706	20	25.40	A-C-F
		800	832	856	PSV/2-FHD	6205	150	1733	25	31.75	A-C-F
		800	832	856	PSV/3-FHD	6305	150	1733	25	31.75	A-C-F
		800	840	872	PSV/4-FHD	6206	152	1768	30	38.10	B-C-F
		800	844	876	PSV/7-FHD	6308	154	1794	40	44.45	B-C-F

Example of ordering
standard design
GS2,1000/PSV/1-FHD,20K,89N,C=628

specify type of suspensions
(see page 248-249 for available types)

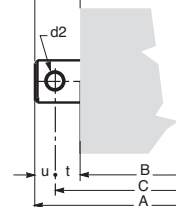


belt width mm	roller		B	C	A	type	bearing	V	O	spindle		type of suspensions
	D mm									d	p	
1600	89-108 133-159-194		900	932	956	PSV/2-FHD	6205	167	1930	25	31.75	A-C-F
			900	932	956	PSV/3-FHD	6305	167	1930	25	31.75	A-C-F
			900	940	972	PSV/4-FHD	6206	170	1965	30	38.10	B-C-F
			900	944	976	PSV/7-FHD	6308	172	1991	40	44.45	B-C-F
1800	108-133 159-194		1000	1032	1056	PSV/2-FHD	6205	185	2127	25	31.75	A-C-F
			1000	1032	1056	PSV/3-FHD	6305	185	2127	25	31.75	A-C-F
			1000	1040	1072	PSV/4-FHD	6206	187	2162	30	38.10	B-C-F
			1000	1044	1076	PSV/7-FHD	6308	189	2188	40	44.45	B-C-F
2000	133 159-194		1100	1132	1156	PSV/2-FHD	6205	202	2324	25	31.75	A-C-F
			1100	1132	1156	PSV/3-FHD	6305	202	2324	25	31.75	A-C-F
			1100	1140	1172	PSV/4-FHD	6206	205	2359	30	38.10	B-C-F
			1100	1144	1176	PSV/7-FHD	6308	206	2385	40	44.45	B-C-F
2200	133 159-194		1250	1282	1306	PSV/3-FHD	6305	228	2619	25	31.75	A-C-F
			1250	1290	1322	PSV/5-FHD	6306	231	2654	30	38.10	B-C-F
			1250	1294	1326	PSV/7-FHD	6308	232	2681	40	44.45	B-C-F
2400	133 159-194		1400	1432	1456	PSV/3-FHD	6305	254	2915	25	31.75	A-C-F
			1400	1440	1472	PSV/5-FHD	6306	257	2949	30	38.10	B-C-F
			1400	1444	1476	PSV/7-FHD	6308	258	2976	40	44.45	B-C-F
2600	159 194		1500	1544	1576	PSV/7-FHD	6308	276	3173	40	44.45	B-C-F



d	20	25	30	40
s	3	4	5	6
H	21	24	30	36
M	8	10	14	16

Spindle design K



d	20	25	30	40
u	10	12	16	16
t	14	16	20	22
f	24	28	36	38
d2	8,3	10,3	14,5	16,5