

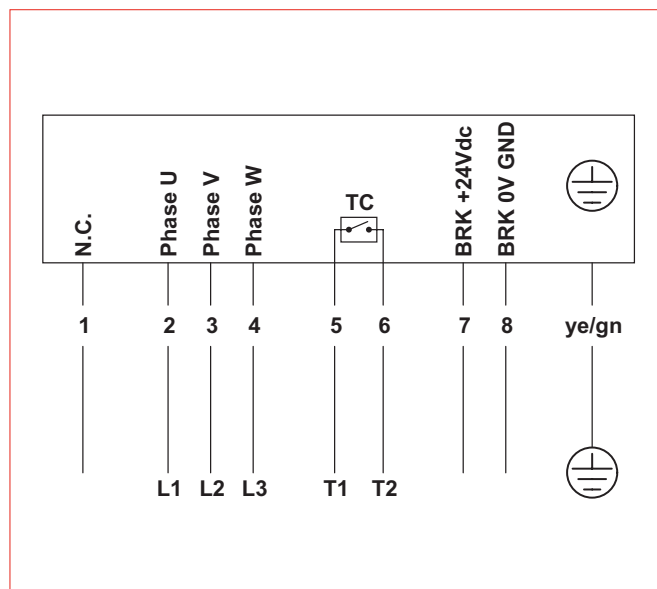
### Technical Data

Type of motor	Asynchronous squirrel-cage
Insulation class	Class F, IEC 34 (VDE 0530)
Voltage	400 V $\pm$ 5% (IEC 34/38)
Frequency	50/60 Hz
Protection rate	IP54
Thermal protection	Bimetallic Contact 140°C
Ambient temperature, 3-phase motor	-5 to +40 °C
Cycle times (duty cycle D50)	130 pallets per hour (1500Kg max)
Ramp time	$\geq$ 0.5 s
Cable	Standard cable, screened, length: 3 m

### Technical data electric PS Roller 50Hz - Standard

$P_N$ [kW]	np	rpm	$f_N$ [Hz]	$U_N$ [V]
0,07	2	2778	50	400
$I_f$ [A]	Cosphi	$V_N$ [m/s]	$M_N$ [Nm]	$R_m$ [ $\Omega$ ]
0,25	0,74	0,2	14,60	90,00

### Connection Diagrams



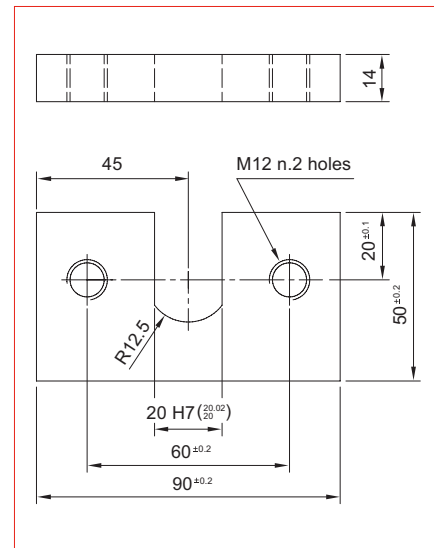
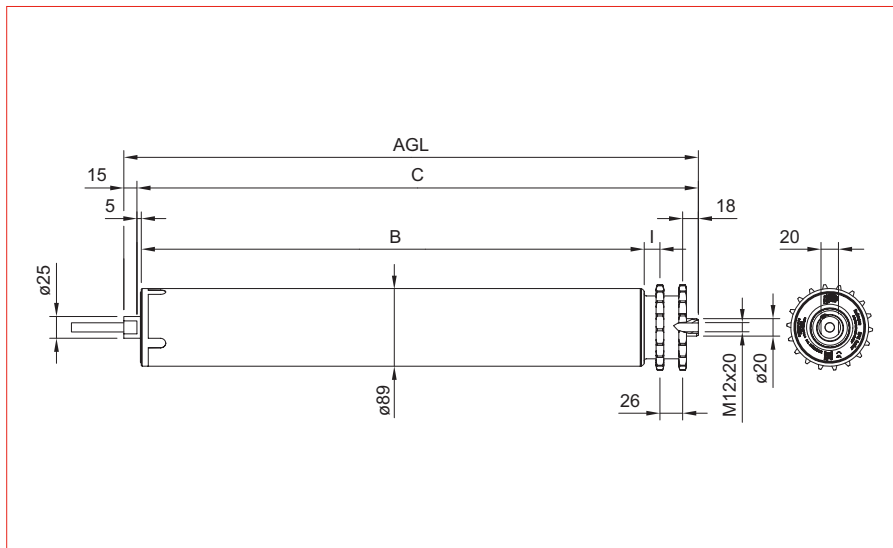
EPS AS1 pallet roller is designed exclusively for intermittent periodic duty S3.

Always install the motor together with soft starter or a frequency converter to make sure that the ramp time is  $\geq$  0,5 s. to avoid mechanical shocks in the gearbox.

# RULMECA EPS-AS1 PALLET ROLLER DATASHEET

## Dimensions

All length-related dimensions in the catalog and in the manual comply with the requirements of DIN/ISO 2768 (medium quality).



Pinion	Type	i
S3	P2C 5/8" Z=15 Ø47/89	13
S4	P2C 5/8" Z=15 Ø47/89	18
S5	P2C 5/8" Z=18 Ø47/89	13
S6	P2C 5/8" Z=18 Ø47/89	18

	Standard version	Stationary brake version
C min	530 mm	590 mm
C max	1500 mm	1500 mm

EPS-AS1 mounting bracket

