

MOTORIZED PULLEY 800M, H & 800HD

Ø 800 mm

To match your requirements in diameter 800 mm, our product range offers two different loading performances for your BULK applications:

- 800M, 800H
- 800HD

You have a choice.

Therefore, it is important to notice the differences to choose the right type of pulley for the right application based on estimated belt tension (radial load) = T1+T2. The actual radial load MUST be LESS than the max. allowable radial load shown in this catalogue.

Be aware of increased belt tensions using multi-ply thick heavy belts and/or larger belt widths.

Motor/gearbox of 800M has its origin from 630H.

800M, H & 800HD are designed for HEAVY DUTY applications and they provide the necessary torque, belt pull and allowable belt tension in order to handle the toughest, irregular & most extreme and brutal working conditions.

STANDARD SPECIFICATION of Motorized Pulley

- Crowned mild steel Ø 800 mm steel shell painted yellow - min. layer of 60 µm
- Bolted painted yellow cast iron bearing housings and covers, all painted yellow – min. layer of 60 µm
- Mild steel shafts
- Shaft sealing system - degree of protection IP66/67 (EN60034-5)
- Cast iron terminal box painted yellow – min. layer of 60 µm
- 3-phase induction motors with thermal protector
- Voltage: 3-phase single voltage. Most common voltages available. Please specify!
- Motor winding insulation Class F+H
- Dynamically balanced rotor
- Two oil plugs each fitted with a magnet to filter the oil
- Yellow painted cast steel mounting brackets – one type AL & one type ALO
- Oil change recommended every 20.000 operational hours
- Maximum RL – Please inquire!
- Non standard RL's available
- To be used in horizontal positions ±5 degree only!

STAINLESS STEEL

Special coating options.
For an optimum design of the correct anti-corrosion performance, we need the properties of the materials being conveyed. Our sales team will offer you the best available solution.

When ordering, please specify the required voltage, electrical connection options, brackets and idler pulleys.

- Environmental conditions: page 68/69
- Technical precautions: page 71 ff.,
- Optional extras: page 56
- Connection diagrams: page 87 ff.

MOTORIZED PULLEY 800M, H & 800HD

Optional extras

SPECIFICATIONS	800M	800H/HD
Dust explosion proof Motorized Pulleys - ATEX 95 - Zone 22 - for applications handling of dusty grain etc. According to European Directive 2014/34/EU	On request!	On request!
Re-greasable labyrinth seals - mild steel	x	x
Black rubber lagging - STANDARD specifications:	o	o
- Smooth lagging - Hardness 60 ±5 Shore A	10 mm	10 mm
- Diamond lagging - Hardness 60 ±5 Shore A	10 mm	10 mm
White smooth rubber lagging (FDA). Oil, fat & grease resistant	x	x
SPECIAL lagging available on request - e.g. hot vulcanized, ceramic etc.	x	x
External brake shaft for connection to mechanical brake	x	x
Mechanical backstop	x	x
Insulation class F - Allowable ambient temperature: -20°C--+40°C	Std.	Std.
Insulation class H with synthetic oil	x	x
Parallel shell	x	x
Thermal protector	Std.	Std.
IP66/67 cast iron terminal box painted yellow	Std.	Std.
Shaft sealing system - degree of protection IP66/67 (EN60034-5)	Std.	Std.
3-phase single voltage (3 x 400 V) or (3 x 690V), 50 Hz, with +/-10% tolerance - DIN IEC 38	Std.	Std.
Special voltages - 50 and/or 60Hz Please specify!	x	x
CSA approved motors - available on request only!	x	x

x = Optional extras

o = Available as option with certain limitations. Please refer to Technical precautions pages 71 ff.

Std. = Fitted as standard

Further product details:

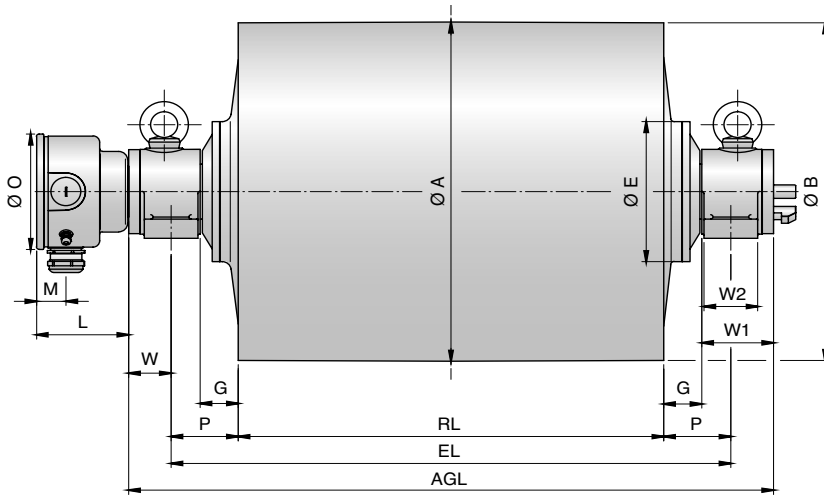


https://www.rulmeca.com/contenuti/qr_code/english/500H-800H.pdf

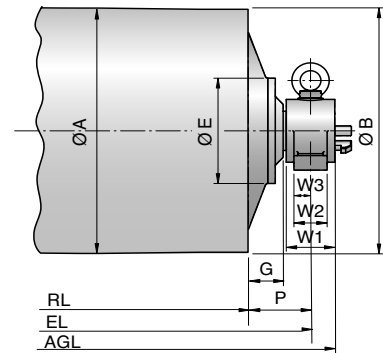
MOTORIZED PULLEY 800M, H & 800HD

Ø 800 mm

Motorized Pulley with terminal box

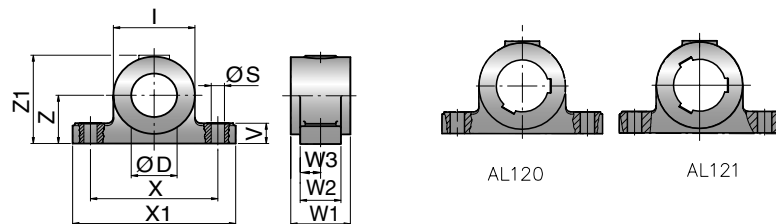


Idler Pulley UT630M / UT630H



Type	A mm	B mm	C mm	D mm	E mm	G mm	L mm	M mm	O mm	P mm
800M	800	796	-	90	268	88	166	54	230	150
800H/HD	800	796	-	120	330	80	206	67	260	150

Mounting brackets
AL90 & ALO90
AL120 & ALO120
AL121 & ALO121



Motorized Pulleys & Idler Pulleys (UT)	Material	Bracket description	Dimensions											Weight	
			D mm	I mm	S mm	V mm	W mm	W1 mm	W2 mm	W3 mm	X mm	X1 mm	Z mm		Z1 mm
Type			D mm	I mm	S mm	V mm	W mm	W1 mm	W2 mm	W3 mm	X mm	X1 mm	Z mm	Z1 mm	kg
800M	Cast steel	AL90/ALO90	90	160	26	42	58.5	117	80	58.5	250	320	100	183	19.0
800H	Cast steel	AL120/ALO120	120	200	33	50	95	160	120	65.0	300	370	110	213	38.0
800HD	Cast steel	AL121/ALO121	120	200	33	50	95	160	120	65.0	300	370	110	213	38.0

MOTORIZED PULLEY 800M

Ø 800 mm - 50 Hz

Motor			Nominal belt speed at Full Load 50Hz m/sec	Torque Nm	Belt Pull N	Max. Radial Load T1+T2* N	Min. RL	Type	Weight in kg for STANDARD width Dimension RL in mm (RL >2000 mm available on request)							Type of Bracket	
Power kW/HP	No. of Poles	Gear stages							950	1000	1050	1100	1150	1200	1250		per 50 mm up to 2000
22.0/ 30.0	8	2	1.25	6688	16720	73600	950	800M	935	948	960	973	985	995	1005	13 kg	AL90/ALO90
			1.60	5223	13058												
			2.00	4178	10445												
			2.50	3343	8358												
			3.15	2653	6633												
30.0/ 40.0	8	2	1.60	7122	17805	98100	950	800M	975	988	1000	1013	1025	1035	1045	13 kg	AL90/ALO90
			2.00	5698	14245												
			2.50	4558	11395												
			3.15	3617	9043												
37.0/ 50.0	6	2	2.00	7030	17575	98100	950	800M	975	988	1000	1013	1025	1035	1045	13 kg	AL90/ALO90
			2.50	5622	14055												
			3.15	4462	11155												
			4.00	3513	8783												
45.0/ 61.0	4	2	3.15	5426	13565	88300	950	800M	995	1008	1020	1033	1045	1055	1065	13 kg	AL90/ALO90
			4.00	4273	10683												
55.0/ 75.0	4	2	3.15	6584	14581	88300	950	800M	995	1008	1020	1033	1045	1055	1065	13 kg	AL90/ALO90
			4.00	5223	13058												

* T1+T2 value is valid for shortest available RL – in case of any questions please contact Rulmeca sales.

We offer idler pulleys with the dimensions to match our motors on request.

MOTORIZED PULLEY 800H/HD

Ø 800 mm - 50 Hz

Motor			Nominal belt speed at Full Load 50Hz m/sec	Torque Nm	Belt Pull N	Max. Radial Load T1+T2* N	Min. RL	Type	Weight in kg for STANDARD width Dimension RL in mm (RL >2000 mm available on request)							Type of Bracket		
Power kW/HP	No. of Poles	Gear stages							1400	1450	1500	1550	1600	1650	1700		per 50 mm up to 2000	
55.0/ 75.0	8	3	1.00	20884	54974	200000	1300	800HD	2390	2420	2450	2455	2485	2515	2546	30 kg	AL121/ALO121	
	6		1.25	16707	41300													
	8	2	1.60	13052	32630	200000	1150	800H	2150	2175	2200	2225	2250	2275	2300	25 kg	AL120/ALO120	
	6		2.00	10450	26125													
			2.50	8360	20900													
			3.15	6635	16588													
75.0/ 100.0	6	3	1.25	22527	56318	200000	1300	800HD	2390	2420	2450	2455	2485	2515	2546	30 kg	AL121/ALO121	
			1.60	18496	46240													
		2	2.00	14244	35610	200000	1150	800H	2150	2175	2200	2225	2250	2275	2300	25 kg	AL120/ALO120	
			2.50	11395	28488													
			3.15	9044	22610													
90.0/ 120.0	6	3	1.60	21181	52953	200000	1550	800HD					2575	2530	2560	2590	30 kg	AL121/ALO121
			2.00	18496	46240													
		2	2.50	13674	34185	200000	1400	800H	2200	2225	2250	2275	2300	2325	2350	25 kg	AL120/ALO120	
			3.15	10852	27130													
			4.00	8546	21365													
110.0/ 150.0	4	3	2.00	21915	54789	180000	1550	800HD					2575	2605	2635	2665	30 kg	AL121/ALO121
			2.50	17994	44984													
		2	3.15	13264	33160	180000	1400	800H	2175	2200	2225	2250	2275	2300	2325	25 kg	AL120/ALO120	
			4.00	10445	26113													
132.0/ 180.0	4	3	2.50	21592	53981	180000	1550	800HD					2615	2645	2675	2705	30 kg	AL121/ALO121
			3.15	15153	37882													
		2	4.00	12535	31338	180000	1400	800H	2215	2240	2265	2290	2315	2340	2365	25 kg	AL120/ALO120	
			4.50	11142	27855													

* T1+T2 value is valid for shortest available RL – in case of any questions please contact Rulmeca sales.

We offer idler pulleys with the dimensions to match our motors on request.