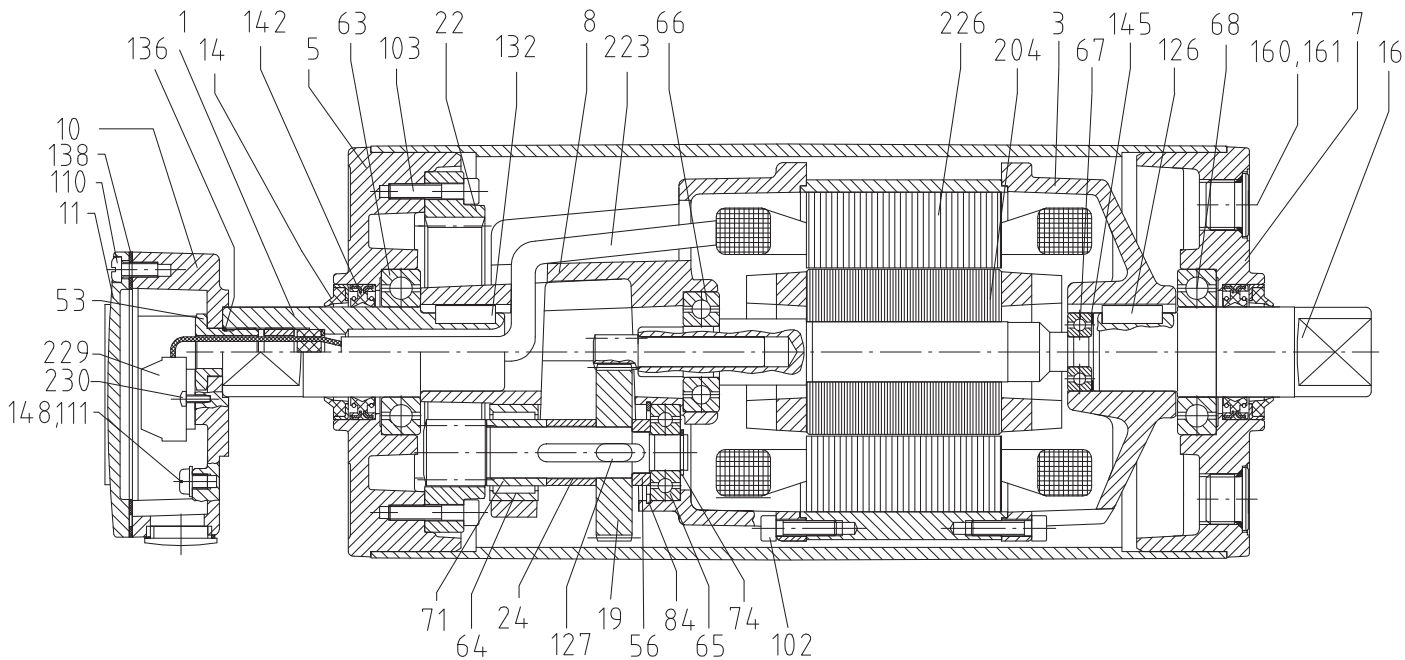


# Motorized Pulley 138E

## Spare Parts List and sectional drawings

Pos.	Description	Pos.	Description	Pos.	Description
1	Front shaft	31	Labyrinth seal cover	110	Screw
3	Rear flange	53	Nipple (terminal box)	111	Screw
5	Bearing housing complete with geared rim	53.1	Cable seal nipple (cable option)	113	Screw
7	Bearing housing complete	55	Spacer bushing	114	Socket set screw
8	Gearbox	56	Spacer bushing	115	Oil plug with magnet
10	Terminal box – bottom part	63	Ball bearing	126	Key
11	Terminal box cover	64	Needle bearing	127	Key
12	Shell	65-70	Ball bearing	131	Key
16	Rear shaft	71	Inner race	132	Key
19	Input wheel	74	Locking ring	136	O-ring/Rubber seal
20	Output pinion	84	Locking ring	138	Rubber seal
22	Geared rim	86	Locking ring	139	Grease nipple
23	Intermediate pinion shaft	93	Elbow or straight connector	140	Deflection seal
24	Intermediate wheel	102	Screw	142	Double lip s
		103	Screw	143	O-ring

### 2-stage gearbox

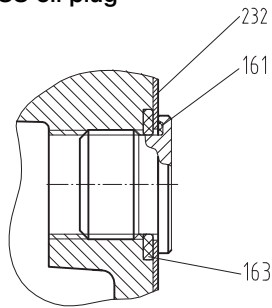


# Motorized Pulley 138E

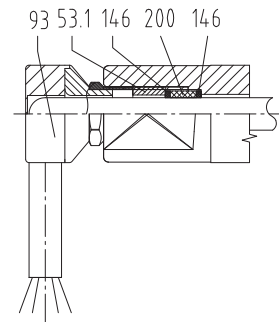
## Spare Parts List and sectional drawings

Pos.	Description	Pos.	Description	Pos.	Description
145	Distance washer	161	O-ring	210	Fixing guard
146	Washer	163	O-ring	223	Cable
148	Washer	167	Screw	226	Stator complete
150	Electromagnetic brake	200	Rubber seal	229	WAGO clamp terminals
150.1	Friction disc	204	Rotor complete with pinion	230	Fixing bolts
156	Rectifier (not shown)	208	Bearing housing with labyrinth groove	240	Distance ring
160	Oil plug				

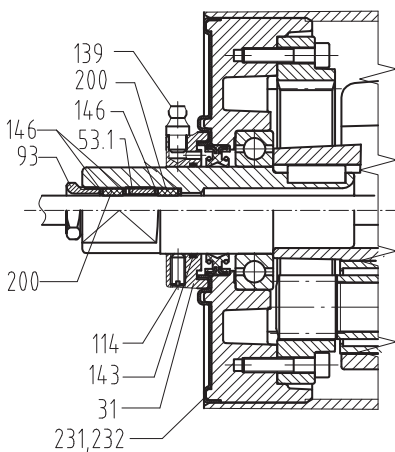
SS oil plug



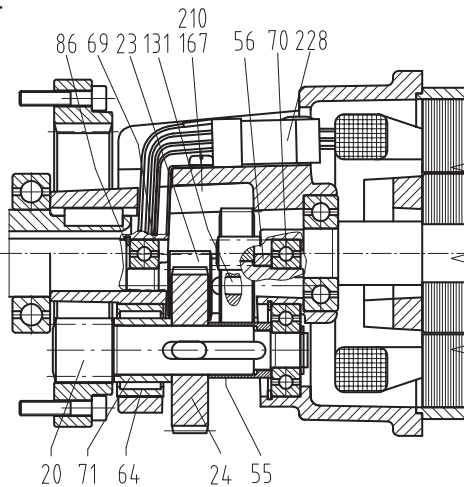
Stainless steel elbow connector



Labyrinth option  
Cable version with straight connector



3-stage gearbox



Electromagnetic brake

