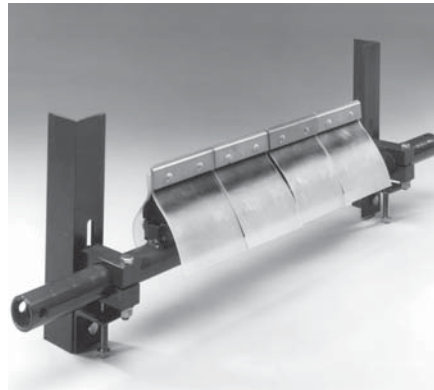




5 Belt cleaners

series R



5.3.2 - Belts cleaners series R for reversible belts

This type of cleaner has been developed to function with reversible belts.

Its arrangement of multiple scraper blades of straight forward construction is unique of its type, resulting in excellent efficiency.

Characteristics and indication of use

The characteristics of the cleaner series R is also that it uses a tubular member, with scraper blade components positioned on its structure and fixed between intermediate rubber supports as in the series P.

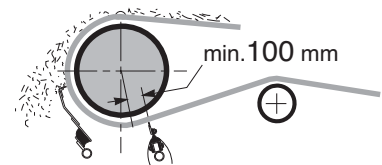
The rubber components are cleverly profiled and allow the application of the scraper blades on both senses of rotation Fig. A.

The blade may then flex in both directions without damaging or promoting damage to the belt in case of unforeseen pressures.

The scraper blade is positioned perpendicular to the belt which is different to that of the position of belt cleaner P.

The most important factors for the efficient system function are the correct installation and the precise regulation of the belt cleaner.

These instructions are described in a related booklet attached to the cleaner itself on delivery.



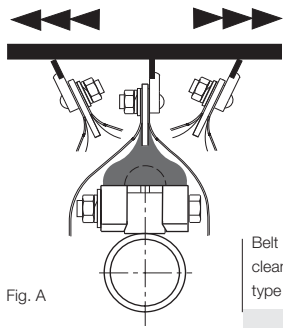
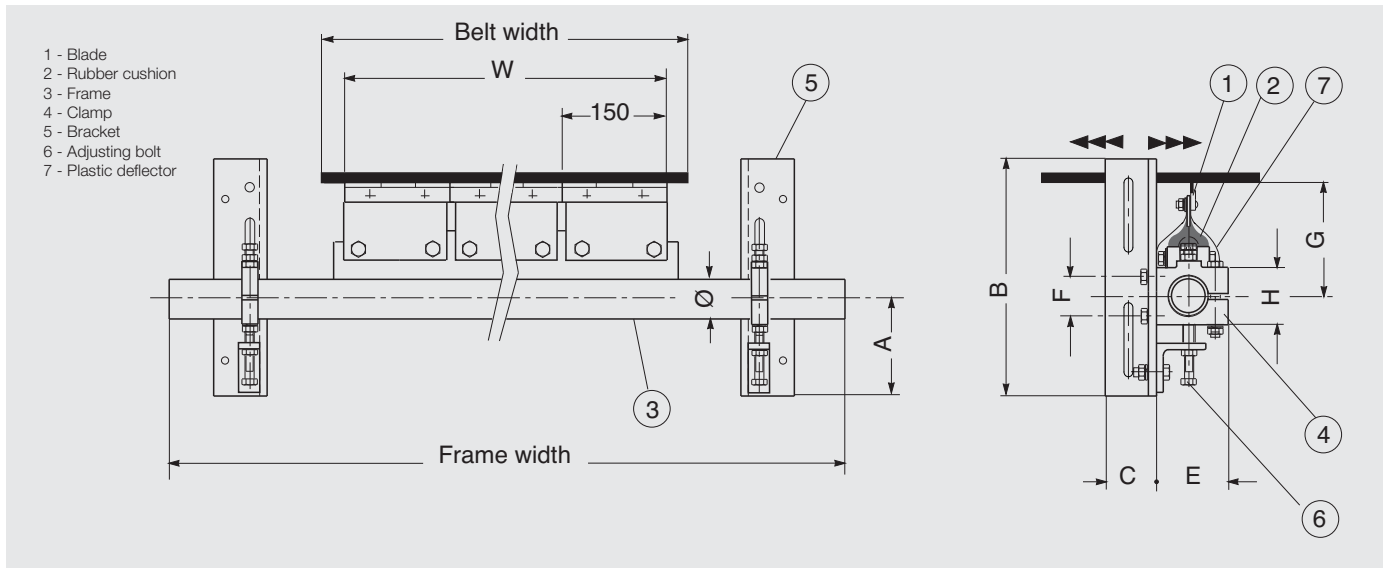


Fig. A

Belt cleaner type	Belt width mm	Tips n.	W mm	Frame width mm	A		B	C	Ø	E	F	G	H	Weight Kg
					min.	max.								
R	300/400	2	300	900										20
	450/500	3	450	1050										25
	600/650	4	600	1200										30
	750/800	5	750	1350										35
	900/1000	6	900	1550	120	200	320	70	54.0	85	56	145	80	40
	1050	7	1050	1700										44
	1200	8	1200	1900										48
	1400	9	1350	2100										54
	1500/1600	10	1500	2350										62
	1800	12	1800	2600										75
	2000	13	1950	2800	152	232	400	80	76.3	115	70	156	105	100
	2200	14	2100	3100										110

On request different dimensions to W as indicated may be supplied.

Example of ordering
Cleaner type R, 1200