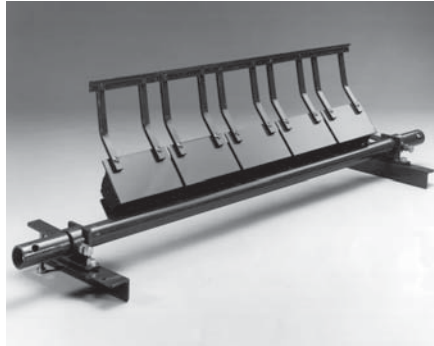




5 Belt cleaners

series H



5.3.3 - Belt cleaners series H for reversible and single directional belts for tangential applications

This cleaning device has been developed principally as a scraper, capable of removing the majority of residual material from the belt surface.

The complete system of cleaning the belt may be made by utilising successive cleaners, chosen for example, from the range in series P or R.

May be installed where it is not always possible to install other types.

Characteristics and indications of use

The belt cleaner series H, has similar characteristics to the preceding series, in using a tubular member. The multiple scraper blades are positioned on this structure and themselves fixed by means of supporting arms proportional in size to the diameter of the drum and anchored finally in rubber supports.

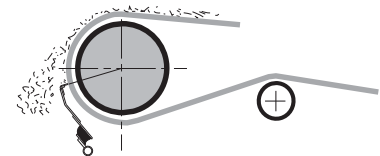
The construction characteristic of the system, allows in this case the use of extremely low functional pressure, precisely controlled by means of an appropriate regulating screw.

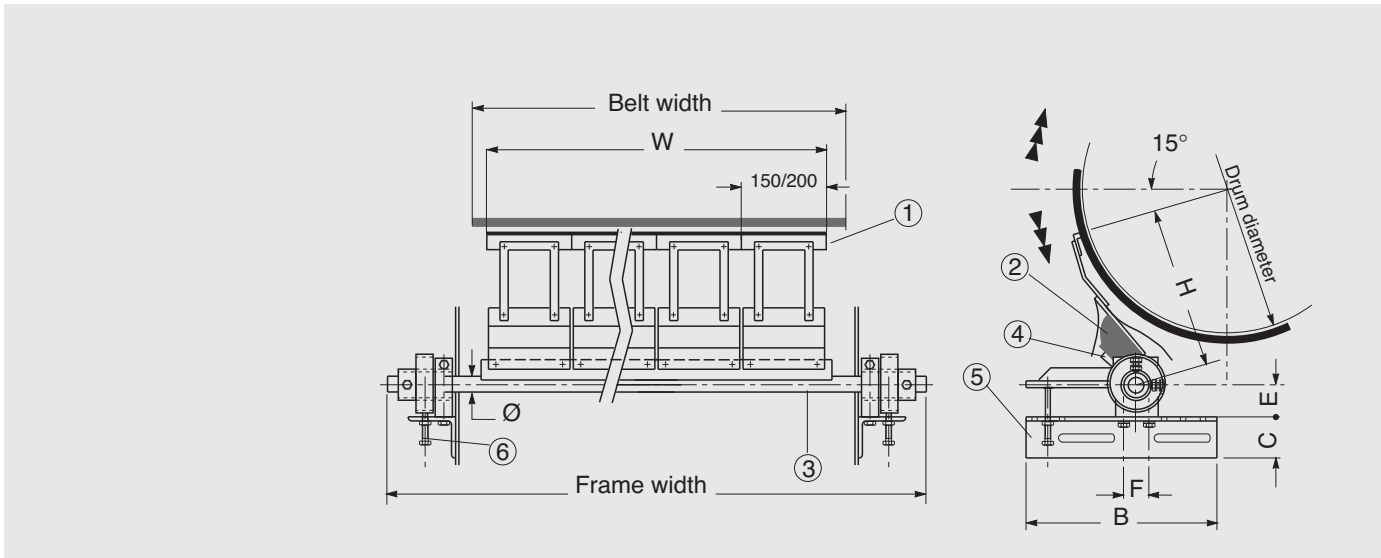
The belt cleaner employs a tangential action and is therefore applied to the external front part of the pulley.

It is then engaged in the task of cleaning the belt on the pulley using a perpendicular or square application.

The simplicity of design of this series assures excellent function over time and economies are found both in management costs and the consequent reduction of labour costs involved in maintenance.

May be easily installed on the belt conveyor structure, reversible, to suit extendible and other types of conveyors.

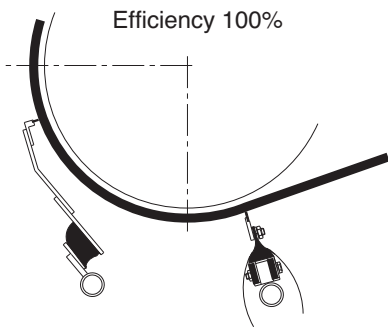




- 1 - Scraper tips
- 2 - Rubber cushion
- 3 - Frame
- 4 - Clamp
- 5 - Support
- 6 - Regulating screw

Belt cleaner type	Belt width mm	Tips		W mm	Frame width mm	B	F	C	Ø	E	Weight Kg
		mm	n.								
H	300/400	150	2	300	1000	320	56	70	54.0	60	23
H	450/500	150	3	450	1000	320	56	70	54.0	60	25
H	600/750	200	3	600	1300	320	56	70	54.0	60	30
H	800/900	200	4	800	1500	320	56	70	54.0	60	35
H	1000/1050	200	5	1000	1650	320	56	70	54.0	60	45
H	1200	200	6	1200	1900	320	56	70	54.0	60	60
H	1400/1500	200	7	1400	2150	320	56	70	54.0	60	75
H	1600	200	8	1600	2300	320	56	70	54.0	60	90
H	1800	200	9	1800	2600	400	70	80	76.3	70	105
H	2000	200	10	2000	3000	400	70	80	76.3	70	120
H	2200	200	11	2200	3200	400	70	80	76.3	70	135

On request different dimensions to W as indicated may be supplied.



To order belt cleaners series H it is necessary to complete the type code with a model code which relates to the diameter of the pulley using the following table.

Cleaner type	model	Pulley Ø mm	H mm ~
H	SS	less than 500	276
H	S	500 ÷ 800	333
H	M	700 ÷ 1100	384
H	L	1000 ÷ 1200	416
H	LL	greater than 1200	527

Example of ordering
Cleaner type HS, 1000