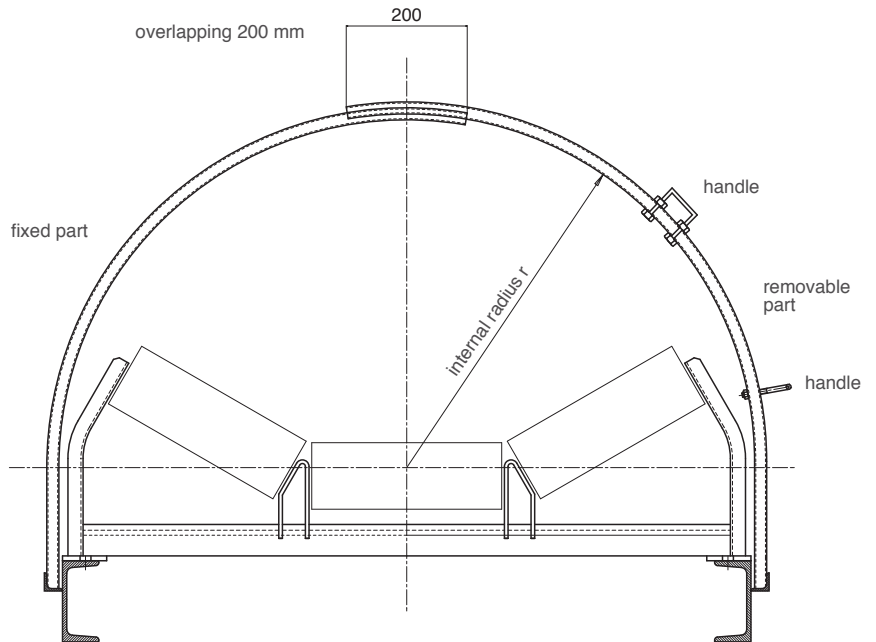
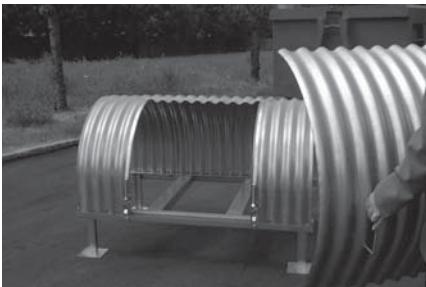


6 Covers

6.3.5 Removable covers



Ordering code example:

CPTA 1 1200/800 180/1064 P200 FM H30 Z35

type
 belt width/radius
 degrees/ length
 straight size (standard 200)
 with punching F
Execution M (in 2 parts)
 punching height
 material/covering (standard Z35 - see page 292)

Note: the supply for each cover includes N. 2 parts 90° and 2 handles with related nuts, all galvanised.

Fixing accessories: For each cover 180° we have to consider **N. 2** fixing accessories **type C** with stainless steel straps; see page 301.

The best solution for **ergonomics and safety.**

Improved ergonomics for belt & idler inspection.

The removable part, equipped with 2 handles, is **easily disassembled** (the fixing is done with 2 straps).

More safety in comparison with other systems equipped with hinges, in order to avoid any risk to the operators.

Easy assembly.

Possible lock-up.

For a better visibility of the idlers sets we suggest the following lay-out:

1 cover - width 304 mm alternated to 1 removable cover - width 1064 mm.

Cover Type	Belt width mm	Radius r mm	Standard Length 1064 at 180° kg
CPTA 1	400	350	13.20
	500	400	13.39
	650	475	16.20
		550*	18.00
	800	575	18.59
		650*	20.39
	1000	675	21.00
		750*	22.79
	1200	800	23.99
		875*	25.80
	1400	900	26.40
	1600	1025	29.39
	1800	1125	31.79

(*) radius on request