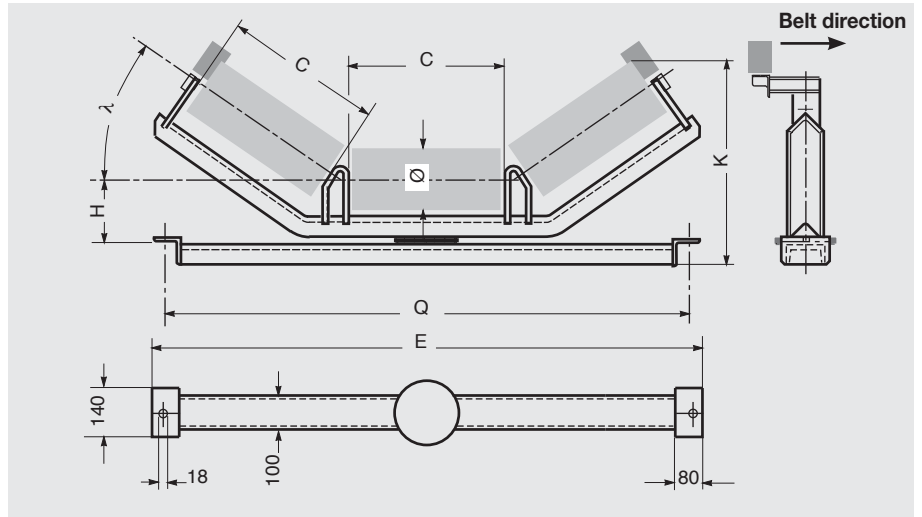
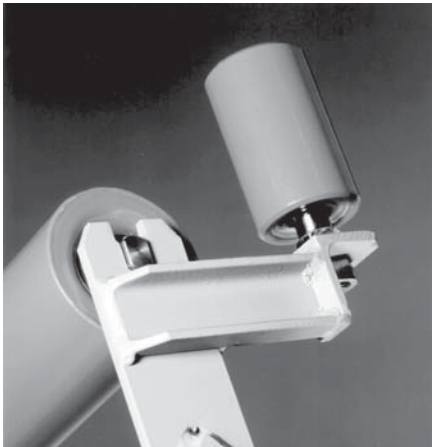


self-centrising transom
Model S
 (without brake for
 single directional belt)

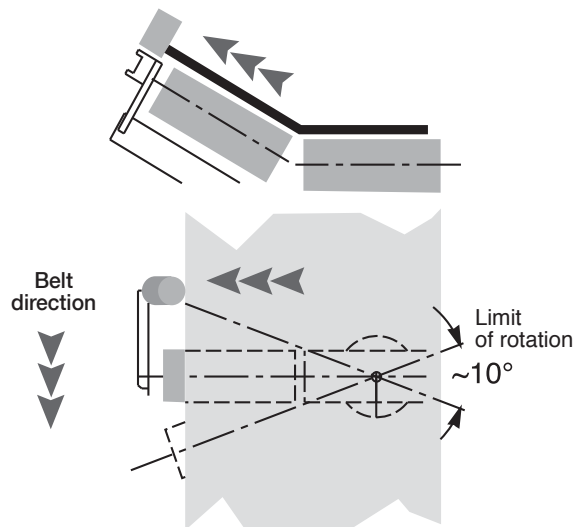


Characteristics and dimensions are similar to the corresponding fixed carrying transom

| | | | | |
|--------------------------------|--------------|--------------|--------------|--------------|
| Series fixed transom | A3L | A3M | A3P | A3S |
| Series self-centrising transom | P3L-S | P3M-S | P3P-S | P3S-S |



Carrying rollers and guide rollers type PSV/G7-NCD 20M16 60N 100 have to be ordered separately.



Method of operation Model S

The system is very simple comprising a rigid lever arm, on which is positioned a belt guide roller.

The pressure exerted by the edge of the belt when tracking off, acts against the offset guide roller which in turn rotates the

transom by an angle that encourages the belt to return centrally.

This model is used on small or medium single directional belts, where the tendency to track off is not excessive.