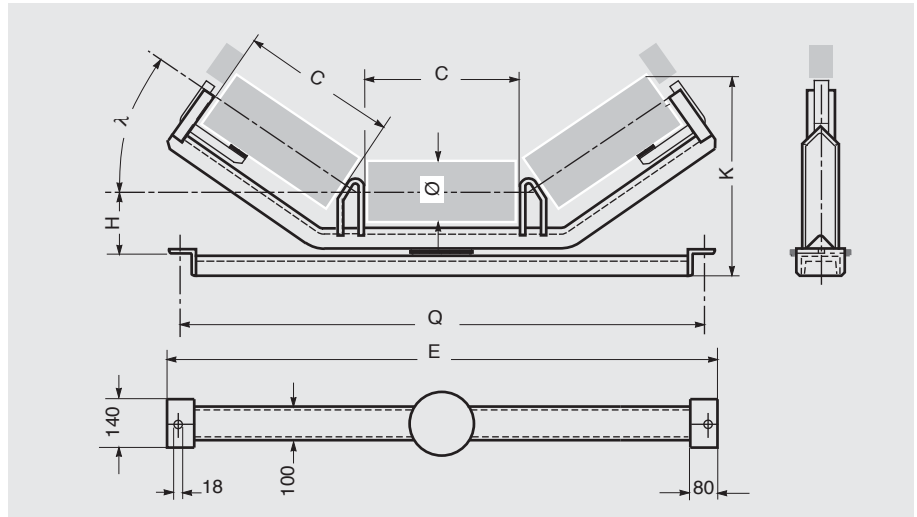


self-centralising transom  
**Model R**  
 (with brake for  
 reversible belt)

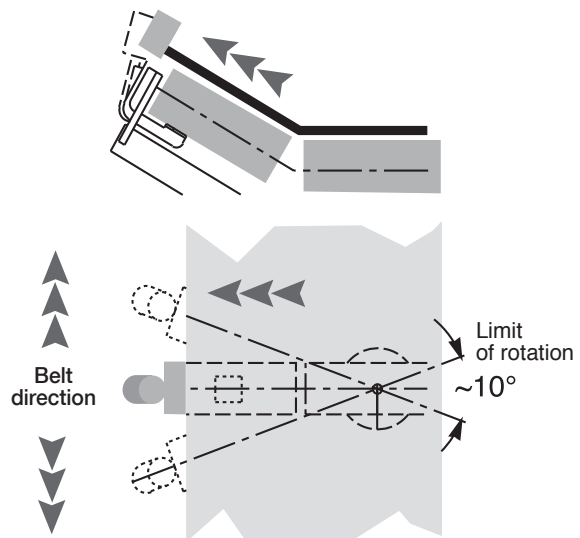


Characteristics and dimensions are similar to the corresponding fixed carrying transom

Series fixed transom	<b>A3L</b>	<b>A3M</b>	<b>A3P</b>	<b>A3S</b>
Series self-centralising transom	<b>P3L-R</b>	<b>P3M-R</b>	<b>P3P-R</b>	<b>P3S-R</b>



Carrying rollers and guide rollers type PSV/G7-NCD 20S18 60N 100 have to be ordered separately.



**Method of operation Model R**

In reversible conveyors a double action is needed to suit either belt direction. Model R acts on the same principle of braking as model F, but in this design the lever arm is on the same centre line as the rollers.

The action of the braking effect is to rotate the transom, encouraging the belt to the centre. Thanks to the centralised arrangement the system functions in either direction of belt movement.