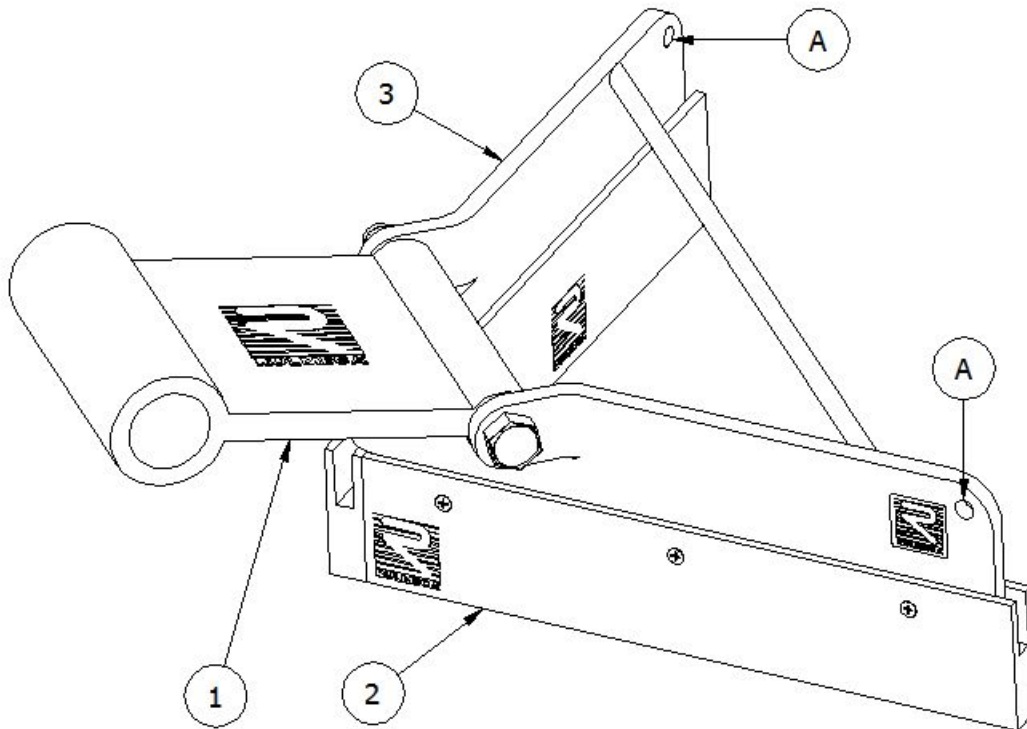


## FITTING THE PU-88 SCRAPER

- |                                 |          |
|---------------------------------|----------|
| 1. PU link                      | art 8888 |
| 2. Scraper blade, polyurethane  | art 8828 |
| 3. Electro-galvanized steel arm | art 8868 |



### GENERAL INFORMATION

The Maxi-Plough is fitted to the return run of the conveyor belt, in front of the return pulley. The purpose of the plough is to remove loose material from the return run of the belt.

### IMPORTANT

In order to achieve the best results, the following conditions must be met:

- The conveyor belt must be free of damage.
- Be careful when the plough is fitted to belts with mechanical joints.
- Max. belt speed: **4.5 m/s**  
Max. temperature: + 50°C in wet environments  
Max. temperature: + 85°C in dry environments (ambient temperature + frictional heat)

### CAUTION

Always turn off the belt conveyor before installing or carrying out maintenance on the scraper. Make sure that the belt cannot start while this work is in progress.

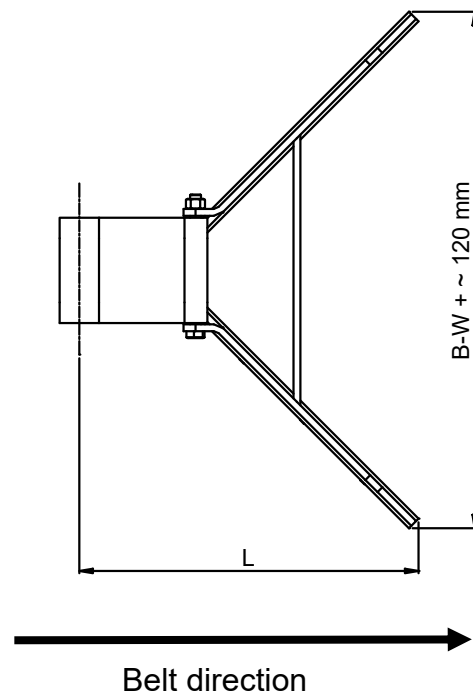
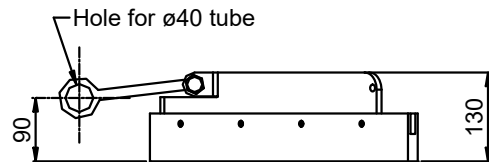
## FITTING

1.	Slip a steel tube of $\varnothing$ 40 mm through the PU link (1).
2.	Fasten the tube to the frame. The centre of the $\varnothing$ 40 mm tube is placed 20 mm below the centre of the M16x200 bolt. Approximately 90 mm above the conveyor belt.
3.	Place the plough at the centre of the belt. Lock the PU link (laterally), using the two hose clamps.

## MAINTENANCE

- Inspect the scraper regularly– we suggest a couple of times a month.
- Change the scraper blade (yellow) when its height has decreased to 35 mm.

B-W	PLOUGH WIDTH	L LENGTH	SPARE PART STRIP
400	520	380	8824
500	620	430	8825
650	770	510	8826
800	920	570	8828
1000	1120	680	8830
1200	1320	780	8832
1400	1520	880	8834
1600	1720	980	8836
1800	1920	1080	8838



## WARRANTY

**Damage to the plough caused by incorrect handling or in connection with incorrect installation cannot be considered to be covered by warranty if these instructions have not been followed. We therefore accept no claims for any consequential damage or loss.**