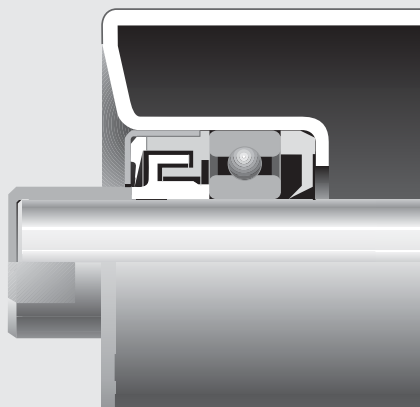




## 2 Rollers

### series MPS 1



Section through seal

### Ø 50 N

Bearing 6202  
(15 x 35 x 11)

d = 15  
d<sub>1</sub> = 20  
ch = 17 \*  
s = 3  
e = 4  
g = 9

\*ch = 14 upon  
request

**Example of ordering**  
standard design  
MPS1,15B,50N,208

for special design  
see pages 80-81

| belt         |          | roller        |      |      |                |       |                   |      |     |      |     |      |
|--------------|----------|---------------|------|------|----------------|-------|-------------------|------|-----|------|-----|------|
| width mm     |          | dimensions mm |      |      | weight Kg      |       | load capacity daN |      |     |      |     |      |
| arrangements |          | B             | C    | A    | rotating parts |       | belt speed m/s    |      |     |      |     |      |
|              |          |               |      |      | parts          | total | 0.5               | 0.75 | 1   | 1.25 | 1.5 | 1.75 |
| 400          |          | 160           | 168  | 186  | 0.8            | 1.1   | 138               | 121  | 110 | 102  | 96  | 91   |
| 300          | 500      | 200           | 208  | 226  | 1.0            | 1.3   | 138               | 121  | 110 | 102  | 96  | 91   |
| 400          | 650      | 250           | 258  | 276  | 1.1            | 1.5   | 138               | 121  | 110 | 102  | 96  | 91   |
| 500          | 800      | 315           | 323  | 341  | 1.4            | 1.8   | 138               | 121  | 110 | 102  | 96  | 91   |
| 300          | 650 1000 | 380           | 388  | 406  | 1.6            | 2.1   | 138               | 121  | 110 | 102  | 96  | 91   |
| 800          |          | 465           | 473  | 491  | 1.9            | 2.6   | 117               | 117  | 110 | 102  | 96  | 91   |
| 400          |          | 500           | 508  | 526  | 2.0            | 2.7   | 109               | 109  | 109 | 102  | 96  | 91   |
|              | 500 1000 | 600           | 608  | 626  | 2.4            | 3.2   | 91                | 91   | 91  | 91   | 91  | 91   |
| 650          |          | 750           | 758  | 776  | 2.9            | 3.9   | 73                | 73   | 73  | 73   | 73  | 73   |
| 800          |          | 950           | 958  | 976  | 3.6            | 4.9   | 58                | 58   | 58  | 58   | 58  | 58   |
| 1000         |          | 1150          | 1158 | 1176 | 4.3            | 5.9   | 49                | 49   | 49  | 49   | 49  | 49   |

The indicated load capacity relates to a project working of 10,000 hours.