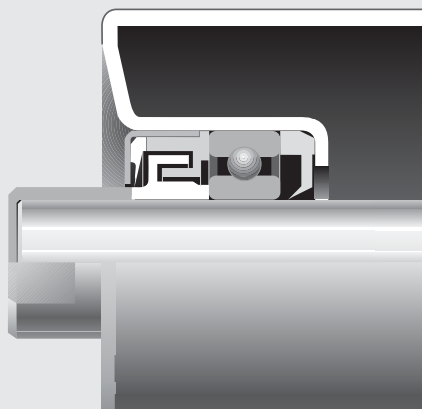




2 Rollers

series MPS 1



Section through seal

Ø 102 N


Bearing 6202
(15 x 35 x 11)

d = 15
d₁ = 20
ch = 17 *
s = 3
e = 4
g = 9

*ch = 14 upon
request

Example of ordering
standard design
MPS1,15B,102N,388

for special design
see pages 80-81

| belt | | roller | | | | | | | | | | |
|---|----------|------------------|------|------|-------------------------|------|----------------------|------|-----|-----|-----|----|
| width mm | | dimensions mm | | | weight Kg | | load capacity daN | | | | | |
| arrangements  | | B | C | A | rotating parts total | | belt speed m/s | | | | | |
| | | | | | | | 1 | 1.25 | 1.5 | 2 | 2,5 | 3 |
| 400 | | 160 | 168 | 186 | 1.7 | 1.9 | 139 | 129 | 122 | 111 | 103 | 97 |
| 300 | 500 | 200 | 208 | 226 | 2.0 | 2.3 | 139 | 129 | 122 | 111 | 103 | 97 |
| 400 | 650 | 250 | 258 | 276 | 2.3 | 2.7 | 139 | 129 | 122 | 111 | 103 | 97 |
| 500 | 800 | 315 | 323 | 341 | 2.8 | 3.3 | 139 | 129 | 122 | 111 | 103 | 97 |
| 300 | 650 1000 | 380 | 388 | 406 | 3.3 | 3.9 | 139 | 129 | 122 | 111 | 103 | 97 |
| | 800 1200 | 465 | 473 | 491 | 3.9 | 4.6 | 112 | 112 | 112 | 111 | 103 | 97 |
| 400 | | 500 | 508 | 526 | 4.2 | 4.9 | 103 | 103 | 103 | 103 | 103 | 97 |
| 500 | 1000 | 600 | 608 | 626 | 4.9 | 5.8 | 85 | 85 | 85 | 85 | 85 | 85 |
| | 1200 | 700 | 708 | 726 | 5.6 | 6.6 | 72 | 72 | 72 | 72 | 72 | 72 |
| 650 | | 750 | 758 | 776 | 6.0 | 7.1 | 67 | 67 | 67 | 67 | 67 | 67 |
| 800 | | 950 | 958 | 976 | 7.5 | 8.8 | 52 | 52 | 52 | 52 | 52 | 52 |
| 1000 | | 1150 | 1158 | 1176 | 8.9 | 10.6 | 43 | 43 | 43 | 43 | 43 | 43 |
| 1200 | | 1400 | 1408 | 1426 | 10.8 | 12.7 | 35 | 35 | 35 | 35 | 35 | 35 |

The indicated load capacity relates to a project working of 10,000 hours.