



3 Troughing sets "garland" series GS5



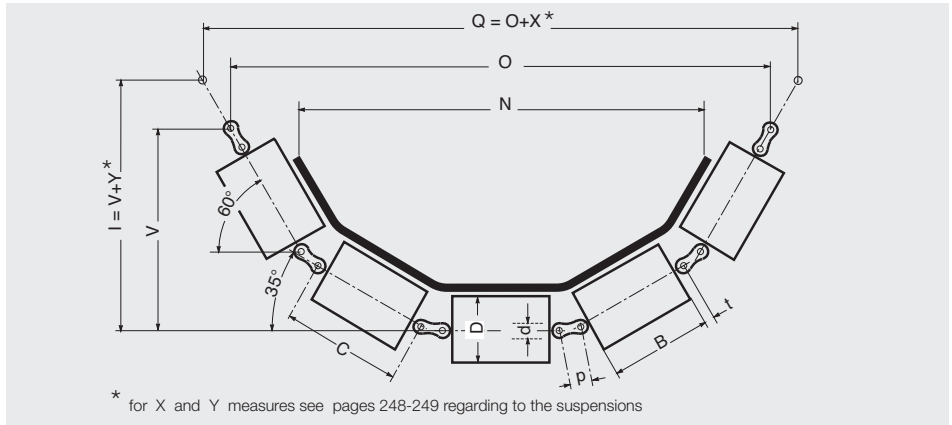
The diameters and types of rollers in the table are those advised for suspended sets with five rollers, for different widths of belt. The diameter of the roller is chosen from those possible for the type of roller considered (see chapter 2 rollers) and must be suitable for the speed and load capacity of the belt (see chapter 2 para. 2.3 selection method).

Rollers that may be utilised to comprise the "garland" GS5 must be from the series PSV, TOP, PL, PLF, exceptionally, and only where absolutely necessary, with impact rings (see chapter 2, impact rollers).

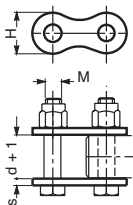
belt width mm	roller D mm	roller							spindle		type of suspensions
		B	C	A	type	bearing	V	O	d	p	
800	89-108 108-133	165	193	213	PSV/1-FHD	6204	326	810	20	25.40	A-C
		165	197	221	PSV/2-FHD	6205	344	852	25	31.75	A-C
		165	197	221	PSV/3-FHD	6305	344	852	25	31.75	A-C
		165	205	237	PSV/4-FHD	6206	368	908	30	38.10	B-C-E
1000	89-108 108-133	205	233	253	PSV/1-FHD	6204	384	956	20	25.40	A-C
		205	237	261	PSV/2-FHD	6205	402	997	25	31.75	A-C
		205	237	261	PSV/3-FHD	6305	402	997	25	31.75	A-C
		205	245	277	PSV/4-FHD	6206	425	1054	30	38.10	B-C-E
1200	89-108 133-159	250	278	298	PSV/1-FHD	6204	449	1120	20	25.40	A-C
		250	282	306	PSV/2-FHD	6205	466	1161	25	31.75	A-C
		250	282	306	PSV/3-FHD	6305	466	1161	25	31.75	A-C
		250	290	322	PSV/4-FHD	6206	490	1217	30	38.10	B-C-E
		250	294	326	PSV/7-FHD	6308	508	1259	40	44.45	B-C-E
1400	89-108 133-159-194	290	318	338	PSV/1-FHD	6204	506	1265	20	25.40	A-C
		290	322	346	PSV/2-FHD	6205	524	1307	25	31.75	A-C
		290	322	346	PSV/3-FHD	6305	524	1307	25	31.75	A-C
		290	330	362	PSV/4-FHD	6206	548	1363	30	38.10	B-C-E
		290	334	366	PSV/7-FHD	6308	565	1404	40	44.45	B-C-E
1600	89-108 133-159-194	340	372	396	PSV/2-FHD	6205	596	1489	25	31.75	A-C
		340	372	396	PSV/3-FHD	6305	596	1489	25	31.75	A-C
		340	380	412	PSV/4-FHD	6206	620	1545	30	38.10	B-C-E
		340	384	416	PSV/7-FHD	6308	637	1586	40	44.45	B-C-E

Example of ordering
 standard design
 GS5,1600/PSV/7-FHD,40K,159N,C=384

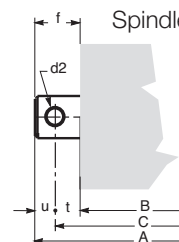
specify type of suspensions
 (see page 248-249 for available types)



belt width mm	roller D mm	B	C	A	type	bearing	V	O	spindle		type of suspensions
									d	p	
1800	108-133 159-194	380	412	436	PSV/2-FHD	6205	654	1634	25	31.75	A-C
		380	412	436	PSV/3-FHD	6305	654	1634	25	31.75	A-C
		380	420	452	PSV/4-FHD	6206	677	1690	30	38.10	B-C-E
		380	420	452	PSV/5-FHD	6306	677	1690	30	38.10	B-C-E
		380	424	456	PSV/7-FHD	6308	695	1732	40	44.45	B-C-E
2000	133 159-194	420	460	492	PSV/4-FHD	6206	735	1836	30	38.10	B-C-E
		420	460	492	PSV/5-FHD	6306	735	1836	30	38.10	B-C-E
		420	464	496	PSV/7-FHD	6308	753	1877	40	44.45	B-C-E
2200	133 159-194	460	500	532	PSV/4-FHD	6206	792	1981	30	38.10	B-C-E
		460	500	532	PSV/5-FHD	6306	792	1981	30	38.10	B-C-E
		460	504	536	PSV/7-FHD	6308	810	2023	40	44.45	B-C-E
2400	133 159-194	500	540	572	PSV/4-FHD	6206	850	2127	30	38.10	B-C-E
		500	540	572	PSV/5-FHD	6306	850	2127	30	38.10	B-C-E
		500	544	576	PSV/7-FHD	6308	868	2169	40	44.45	B-C-E
2600	159 194	540	584	616	PSV/7-FHD	6308	925	2314	40	44.45	B-C-E



d	20	25	30	40
s	3	4	5	6
H	21	24	30	36
M	8	10	14	16



Spindle design K				
d	20	25	30	40
u	10	12	16	16
t	14	16	20	22
f	24	28	36	38
d2	8,3	10,3	14,5	16,5