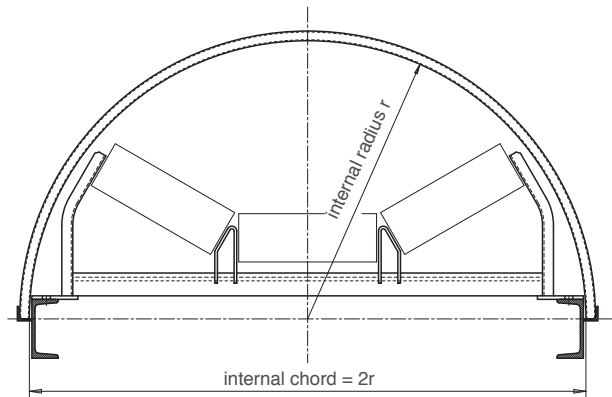
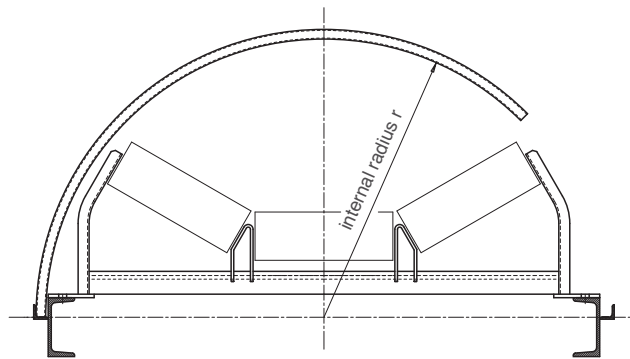


6 Covers

6.3.2 CPTA 2 Half circle without straight side



CPTA 2, 180°



CPTA 2, 135°

Ordering code example:

CPTA 2 1600/1025 180/1064 FG H30 Z35

type _____
 belt width/radius _____
 degrees/ length _____
 with or without punching
 (F with punching, - without punching) _____
 fixing type
 (B, G, S) _____
 punching height _____
 material/covering
 (standard Z35 - see page 292) _____

Cover Type	Belt width mm	Radius r mm	Standard Length 1064 at 180° kg	Open Length 1064 at 135° kg	Cover at 180° length 304 kg	thick mm	Door 45° kg
CPTA 2	400	350	8.6	6.5	2.24	0.75	3.5
	500	400	9.8	7.4	2.56	0.75	3.7
	650	475	11.6	8.7	3.03	0.75	4.3
		550 *	13.4	10.0	3.51	0.75	4.8
	800	575	14.0	10.5	3.66	0.75	5.1
		650 *	15.8	11.8	5.51	1	5.4
	1000	675	16.4	12.3	5.72	1	5.7
		750 *	18.2	13.7	6.34	1	6.0
	1200	800	22.5	14.5	8.45	1.25	6.2
		875 *	19.4	15.9	9.24	1.25	6.8
	1400	900	21.2	16.3	9.5	1.25	7.0
	1600	1025	24.8	18.6	12.99	1.50	7.6
1800	1125	2.2	20.4	14.24	1.50	8.1	

Note:

For fixing accessories please refer to page 300-301. (*) radius on request