



5 Belt cleaners

series **PLG** **VLG - VLP**

5.3.5 - Belt cleaners simple and plough types

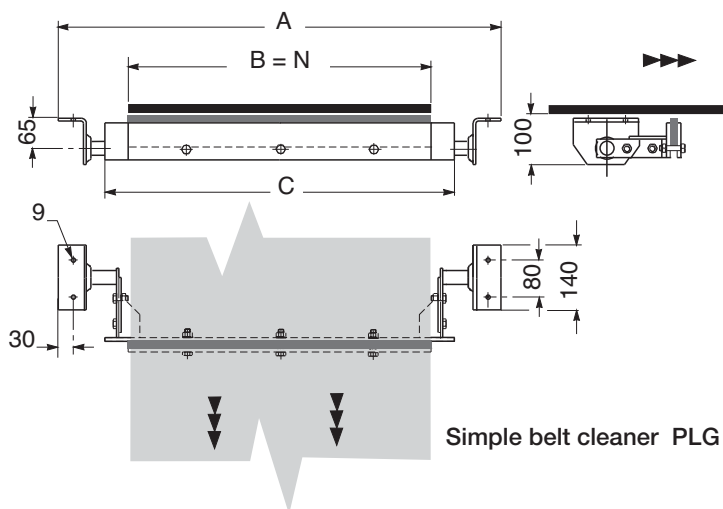
The most economic of cleaners with a scraper made of anti-abrasive rubber. The cleaners are applicable to light belts where the economies in the working conditions are of fundamental importance. Proposed therefore for belt widths from 400 up to 1200 mm.

Simple belt cleaner type PLG

Comprises a steel structure in which is positioned a blade of anti-abrasive rubber (60 shore) of thickness 15 mm. Considering the effect of pressure exercised on the belt, this cleaner should be supplied at the time of conveyor installation.

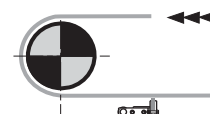


The cleaner PLG is for belt widths of 400, 500 and 650 mm. To be installed near to the drive drum.

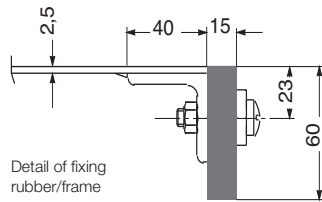


Simple belt cleaner PLG

Belt width mm	A	B	C
400	700	400	500
500	800	500	600
650	950	650	750

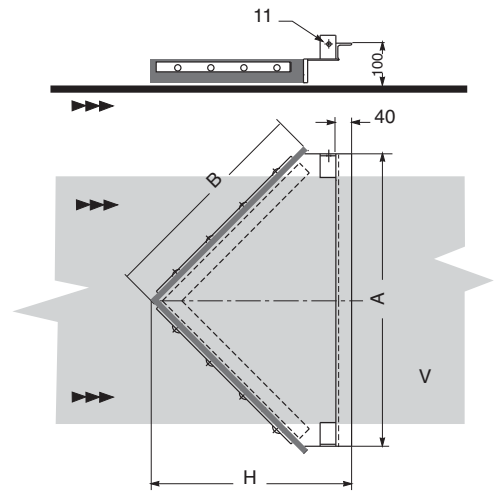
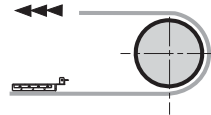


Example of ordering
Cleaner type PLG, 400



Detail of fixing rubber/frame

Belt width mm	A	B	H
400	500	350	360
500	600	420	410
650	740	525	480



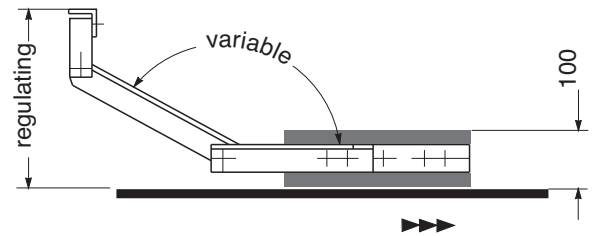
Belt plough cleaner type VLG - VLP

This is a system applied to the internal side of the return belt adjacent to the return drum.

Any residual material is deviated and removed by the effective action effect of the "V" design just before it reaches the belt terminal drum.

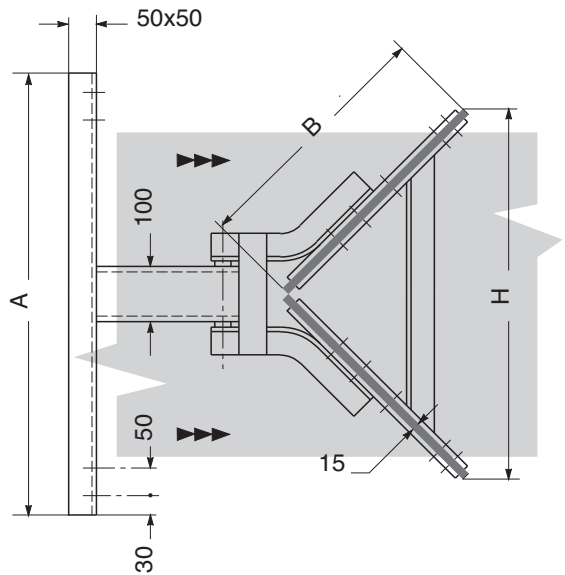
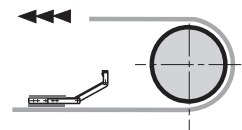
The plough, standard model type VLG, and the pressure regulating version type VLP for heavy applications meet direct customer needs for specific uses.

The belt plough cleaner must be installed at the terminal end to the belt near to the return drum, with the plough positioned in the opposite sense to the direction of movement of the belt.



Belt width mm	A	B	H
800	1100	600	850
1000	1300	750	1060
1200	1550	890	1260
1400	1750	1030	1460
1600	1950	1170	1660

Plough cleaner type VLP



Example of ordering
Cleaner type VLG, 500
VLP, 650