

MOTORIZED PULLEY 400M & 400H

Ø 400 mm

To match your requirements in diameter 400 mm, our product range offers two different loading performances for your BULK applications:

- M for Medium-duty
- H for Heavy-duty

You have a choice.

Therefore, it is important to notice the differences to choose the right type of pulley for the right application based on estimated belt tension (radial load) = T1+T2. The actual radial load **MUST** be **LESS** than the max. allowable radial load shown in this catalogue.

Be aware of increased belt tensions using *multi-ply thick heavy belts* and/or larger belt widths.

If you do not find the belt tension needed in this diameter, you might have to choose a larger one.

M for Medium-duty

The internal parts of 400M are designed for tough, irregular and extreme working conditions.

400M are typically used in grain storage, cement, steel, fertilities and heavy mobile crushing & screening applications.

H for Heavy-duty

Due to a solid 3-stage gearbox, 400H provides the necessary forces needed for low speeds, combined with high power, and is designed to handle irregular loadings in BRUTAL conditions.

STANDARD SPECIFICATION of Motorized Pulley

- Crowned mild steel Ø 400 mm steel shell painted yellow – min. layer of 60 µm
- Cast iron bearing housings and covers, all painted yellow – min. layer of 60µm
- Mild steel shafts treated with anti-rust wax
- Shaft sealing system - degree of protection IP66/67 (EN60034-5)
- Cast iron terminal box 400M & 400H painted yellow – min. layer of 60µm
- 3-phase induction motors with thermal protector
- Voltage: 3-phase single voltage. Most common voltages available. Please specify!
- Motor winding insulation Class F+H
- Dynamically balanced rotor
- Two oil plugs each fitted with a magnet to filter the oil
- Oil change recommended every 20.000 operational hours
- Minimum RL. Please refer to pages 44/45
- Maximum RL – Please inquire!
- Non standard RL's available
- To be used in horizontal positions ±5 degree only!

Please note:

- Straight or elbow connector available
- Special speeds available on request.
- Parallel shell available. Diameter equal to dimension Ø A.
- Motorized Pulleys for non-horizontal positions available on request.

STAINLESS STEEL

Stainless steel version or rust-resistant version on request -

For an optimum design of the correct anti-corrosion performance, we need the properties of the materials being conveyed. Our sales team will offer you the best available solution.

Other Options:

- FDA & USDA food grade recognized oil and grease are available on request
- Complete Motorized Pulleys in acid resistant stainless steel – AISI 316 range – on request.

Electrical connection options:

- Stainless steel terminal box – AISI 304 range
- Straight stainless steel connector with flying lead – AISI 304 range - ≤4.0 kW.

When ordering, please specify the required voltage, electrical connection, options, brackets and idler pulleys.

- Environmental conditions: page 68/69
- Technical precautions: page 71 ff.,
- Optional extras: page 41,
- Connection diagrams: page 87 ff.

MOTORIZED PULLEY 400M & 400H

Optional extras

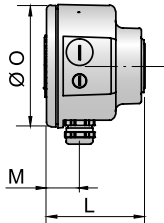
SPECIFICATIONS	400M & 400H
Food grade oil & grease - FDA & USDA recognized - available on request	x
Dust explosion proof Motorized Pulleys - ATEX 95 - Zone 22 - for applications handling of dusty grain etc. According to European Directive 2014/34/EU	On request!
TOTAL acid resistant stainless steel option - AISI 316	x
Re-greasable labyrinth seals - mild steel	x
Black rubber lagging - STANDARD specifications:	o
- Smooth lagging - Hardness 60 ±5 Shore A	8 mm
- Diamond lagging - Hardness 60 ±5 Shore A	8 mm
White smooth rubber lagging (FDA). Oil, fat & grease resistant	x
SPECIAL lagging available on request - e.g. hot vulcanized, ceramic etc.	x
Electromagnetic brake	x
Min. RL dimensions increases by (mm)	100
Mechanical backstop	x
Insulation class F - Allowable ambient temperature: -20°C-+40°C	Std.
Insulation class H with synthetic oil	x
Parallel shell	x
Thermal protector	Std.
IP66/67 cast iron terminal box painted yellow	Std.
Shaft sealing system - degree of protection IP66/67 (EN60034-5)	Std.
3-phase single voltage (3 x 400V) or (3 x 690V) 50Hz +/- 10% tolerance - DIN IEC 38	Std.
Euro-voltage (3x230/400V or 400/690V 50 Hz) with +/-10% tolerance -DIN IEC 38	Std.
Special voltages - 50 and/or 60Hz Please specify!	x
CSA approved motors - available on request only!	x

x = Optional extras
o = Available as option with certain limitations. Please refer to Technical precautions pages 71 ff.
Std. = Fitted as standard

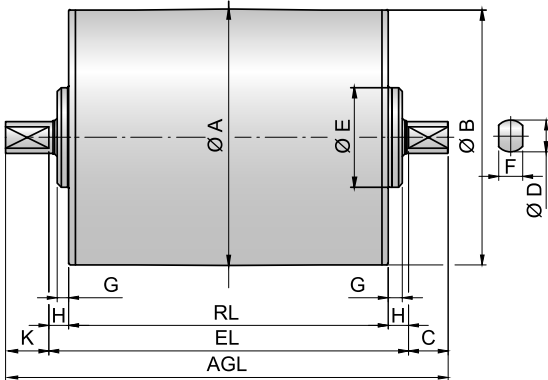
MOTORIZED PULLEY 400M & 400H

Ø 400 mm

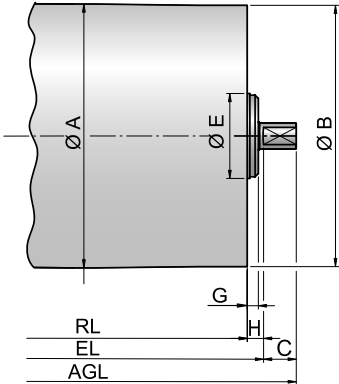
400M & 400H terminal box



Motorized Pulley with terminal box



Idler Pulley
UT400L / UT400M / UT400H

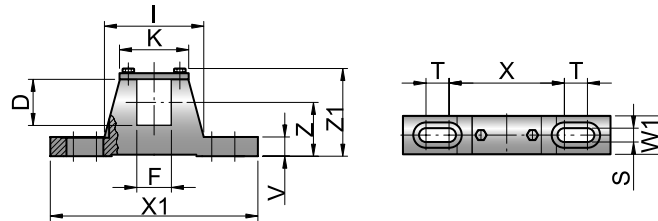


Type	Motorized Pulley									Terminal box			
	A mm	B mm	C mm	D mm	E mm	F mm	G mm	H mm	K mm	L mm	M mm	N mm	O mm
400M & 400H	404	400	50	60	194	45	18	25	50	131	46	-	165

MOTORIZED PULLEY 400M & 400H

Ø 400 mm

Mounting brackets
KL41-HD & KL60



Motorized Pulley	Material	Bracket description	Dimensions												Weight
			D mm	F mm	I mm	K mm	S mm	T mm	V mm	W1 mm	X mm	X1 mm	Z mm	Z1 mm	
Type															
400M & 400H	Steel	KL60	60	45	132	90	18	30	25	50	150	270	70	115	4.8

Further product details:



<https://www.rulmeca.com/contenuti/qrcode/english/400.pdf>

MOTORIZED PULLEY 400M & 400H

Ø 400 mm - 50 Hz

Motor			Nominal belt speed at Full Load 50Hz m/sec	Torque Nm	Belt Pull N	Max. Radial Load T1+T2* N	Min. RL incl. back-stop	Type	Weight in kg for STANDARD width Dimension RL in mm (RL > 1600 mm available on request)									Type of Bracket			
Power kW/HP	No. of Poles	Gear stages							650	700	750	800	850	900	950	1000	per 50 mm up to 1600				
2.20/ 3.00	8	3	0.16	2638	13062	50000	700	400H										6 kg	KL60		
			0.20	2111	10450																
			0.25	1688	8360																
	8	2		0.32	1306	6465	40500	650	400M	223	229	235	241	247	253	259	265		6 kg	KL60	
				0.40	1045	5173															
				0.50	836	4139															
				0.63	663	3282															
				0.80	522	2584															
			1.00	418	2090																
			1.25	334	1670																
			1.60	265	1325																
4.00/ 5.50	8	3	0.25	3070	15200	50000	750	400H										6 kg	KL60		
			0.32	2399	11875																
			0.40	1919	9500																
	8	2		0.50	1520	7525	40500	700	400M											6 kg	KL60
				0.63	1206	5970															
				0.80	960	4750															
				1.00	760	3800															
				1.25	608	3040															
			1.60	475	2375																
5.50/ 7.50	4	3	0.40	2638	13063	50000	700	400H										6 kg	KL60		
			0.50	2111	10450																
			0.63	1675	8294																
	4	2		0.80	1306	6465	40500	650	400M	228	234	240	246	252	258	264	270		6 kg	KL60	
				1.00	1045	5173															
				1.25	844	4180															
				1.60	660	3265															
				2.00	528	2620															
			2.50	422	2090																
			3.15	332	1659																
7.50/ 10.00	6	3	0.50	2878	14250	50000	750	400H										6 kg	KL60		
			0.63	2284	11310																
			0.80	1799	8906																
	6	2		1.00	1425	7054	40500	700	400M										6 kg	KL60	
				1.25	1140	5644															
				1.60	891	4411															
				2.00	712	3525															
				2.50	570	2822															
			3.15	452	2238																

* T1+T2 value is valid for shortest available RL – in case of any questions please contact Rulmeca sales.

MOTORIZED PULLEY 400M & 400H

Ø 400 mm - 50 Hz

Motor			Nominal belt speed at Full Load 50Hz m/sec	Torque Nm	Belt Pull N	Max. Radial Load T1+T2* N	Min. RL incl. back-stop	Type	Weight in kg for STANDARD width Dimension RL in mm (RL > 1600 mm available on request)										Type of Bracket					
Power kW/HP	No. of Poles	Gear stages							600	650	700	750	800	850	900	950	1000	per 50 mm up to 1600						
11.00/ 15.00	4	3	0.80	2638	13063	50000	750	400H				289	295	301	307	313	319	6 kg	KL60					
			1.00	2111	10450																			
			1.25	1688	8360																			
		2	1.60	1306	6465	40500	700	400M				257	263	269	275	281	287	293	6 kg	KL60				
			2.00	1045	5173																			
			2.50	844	4180																			
15.00/ 20.00	2	3	1.00	2878	14250	50000	750	400H				284	290	296	302	308	314	6 kg	KL60					
			1.25	2303	11400																			
			1.60	1799	8906																			
		2	2.00	1439	7125	40500	700	400M				252	258	264	270	276	282	288	6 kg	KL60				
			2.50	1142	5700																			
			3.15	907	4523																			

* T1+T2 value is valid for shortest available RL – in case of any questions please contact Rulmeca sales.

We offer idler pulleys with the dimensions to match our motors on request.