

# MOTORIZED PULLEY 500H

## Ø 500 mm

To offer a product suitable for a wide range of applications with the MP 500H we have a Motorized Pulley that covers the most required demands of the bulk conveyor market.

Therefore, it is important to notice the differences to choose the right type of pulley for the right application based on estimated belt tension (radial load) = T1+T2. The actual radial load **MUST** be **LESS** than the max. allowable radial load shown in this catalogue.

Be aware of increased belt tensions using *multi-ply thick heavy belts* and/or larger belt widths.

If you do not find the belt tension needed in this diameter, you might have to choose a larger one.

**H** means Heavy-duty

The execution of the MP 500H is designed to resist the heaviest application demands. The strong gear box, the Ø 65 mm shaft and the matching bearings etc. are designed for tough and extreme working conditions.

### STANDARD SPECIFICATION of Motorized Pulley

- Crowned mild steel Ø 500 mm steel shell painted yellow – min. layer of 60 µm
- Bolted cast iron bearing housings and covers, all painted yellow - min. layer of 60 µm
- Mild steel shafts
- Shaft sealing system - degree of protection IP66/67(EN60034-5)
- Cast iron terminal box painted yellow – min. layer of 60 µm
- 3-phase induction motors with thermal protector
- 3-phase single voltage.  
Most common voltages available. Please specify!
- Motor winding insulation Class F+H
- Dynamically balanced rotor
- Two oil plugs each fitted with a magnet to filter the oil
- Yellow painted graphite cast iron mounting brackets – 500H only!
- Oil change recommended every 20.000 operational hours
- Maximum RL – Please inquire!
- Non standard RL's available
- To be used in horizontal positions ±5 degree only!
- Nitrided shaft sleeves

#### Please note:

- Motorized Pulleys for non-horizontal positions available on request
- Parallel shell available. Diameter equal to dimension Ø A

### STAINLESS STEEL

Stainless steel version or rust-resistant version on request -

For an optimum design of the correct anti-corrosion performance, we need the properties of the materials being conveyed. Our sales team will offer you the best available solution.

**When ordering, please specify the required voltage, electrical connection and options, brackets and idler pulleys.**

- Environmental conditions: page 68/69
- Technical precautions: page 71 ff.,
- Optional extras: page 47,
- Connection diagrams: page 87 ff.

# MOTORIZED PULLEY 500H

## Optional extras

SPECIFICATIONS	500L	500M & 500H
Dust explosion proof Motorized Pulleys - ATEX 95 - Zone 22 - for applications handling of dusty grain etc. According to European Directive 2014/34/EU	On request!	On request!
Black rubber lagging - STANDARD specifications: - Smooth lagging - Hardness 60 ±5 Shore A - Diamond lagging - Hardness 60 ±5 Shore A	o 8 mm 8 mm	o 8 mm 8 mm
White smooth rubber lagging (FDA). Oil, fat & grease resistant	x	x
SPECIAL lagging available on request - e.g. hot vulcanized, ceramic etc.	x	x
Electromagnetic brake	x	x
Min. RL dimensions increases by (mm)	100	100
Mechanical backstop	x	x
Insulation class F - Allowable ambient temperature: -20°C - +40°C	Std.	Std.
Insulation class H with synthetic oil	x	x
Parallel shell	x	x
Thermal protector	Std.	Std.
IP66/67 cast iron terminal box painted yellow	Std.	Std.
Shaft sealing system - degree of protection IP66/67 (EN60034-5)	Std.	Std.
3-phase single voltage (3 x 400V) or (3 x 690V), 50 Hz, with +/-10% tolerance - DIN IEC 38	Std.	Std.
Special voltages - 50 and/or 60Hz Please specify!	x	x
CSA approved motors - available on request only!	x	x

x = Optional extras

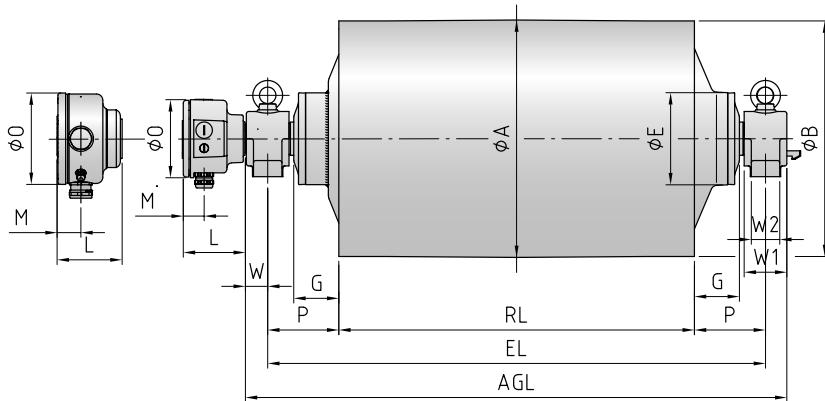
o = Available as option with certain limitations. Please refer to Technical precautions pages 71 ff.

Std. = Fitted as standard

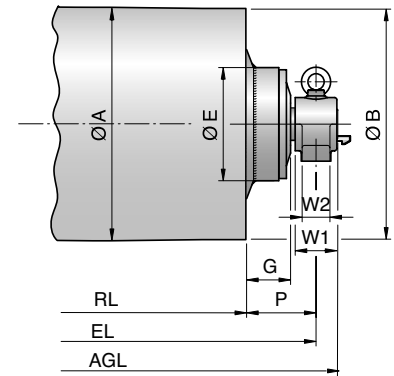
# MOTORIZED PULLEY 500H

## Ø 500 mm

Motorized Pulley with terminal box



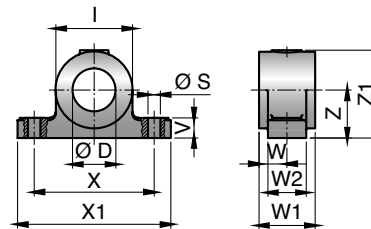
Idler Pulley UT500H



Type	A mm	B mm	C mm	D mm	E mm	G mm	L mm	M mm	O mm	P mm
500H	501	497	-	65	192	95	131	46	165	150
500H (22 & 30kW)	521*	517*	-	65	235	95	166	54	230	150

\* including ceramic lagging

Mounting bracket  
AL65 & ALO65



Further product details:



Motorized Pulleys & Idler Pulleys (UT)	Material	Bracket description	Dimensions											Weight kg
			D mm	I mm	S mm	V mm	W mm	W1 mm	W2 mm	X mm	X1 mm	Z mm	Z1 mm	
500H	Spheroidal cast iron	AL65 / ALO65	65	115	23	34	45	90	60	180	240	80	141	8.0

[https://www.rulmecca.com/contenuti/qr\\_code/english/500H-800H.pdf](https://www.rulmecca.com/contenuti/qr_code/english/500H-800H.pdf)

# MOTORIZED PULLEY 500H

## Ø 500 mm - 50 Hz

Motor			Nominal belt speed at Full Load 50Hz m/sec	Torque Nm	Belt Pull N	Max. Radial Load T1+T2* N	Min. RL	Type	Weight in kg for STANDARD width Dimension RL in mm (RL >2000 mm available on request)										Type of Bracket			
Power kW/HP	No. of Poles	Gear stages							600	650	700	750	800	850	900	950	1000	per 50 mm up to 2000				
5.50/ 7.50	8	2	0.50	2612	10427	46000	750	500H										8 kg	AL65 / ALO65			
			0.63	2073	8276																	
			0.80	1632	6515																	
	6	2	1.00	1306	5214							339	348	357	365	374	381					
			1.25	1045	4172																	
			1.60	816	3258																	
			2.00	653	2607																	
			2.50	522	2084																	
7.50/ 10.00	8	2	0.63	2827	11285	46000	750	500H										8 kg	AL65 / ALO65			
			0.80	2226	8887																	
			1.00	1780	7106																	
	6	2	1.25	1424	5685							349	358	367	375	384	390					
			1.60	1113	4443																	
			2.00	890	3553																	
			2.50	712	2843																	
11.0/ 15.0	6	2	1.00	2611	10423	46000	750	500H										8 kg	AL65 / ALO65			
			1.25	2089	8340																	
			1.60	1632	6515								359	369	379	389	399			405		
			2.00	1306	5214																	
			2.50	1045	4172																	
15.0/ 20.0	4	2	1.00	3644	14450	46000	750	500H										8 kg	AL65 / ALO65			
			1.25	2850	11377																	
			1.60	2226	8886																	
			2.00	1781	7110								370	378	385	393	400			409		
			2.50	1425	5689																	
			3.15	1131	4515																	
18.5 25.0	4	2	1.25	3596	14356	46000	750	500H										8 kg	AL65 / ALO65			
			1.60	2746	10962																	
			2.00	2197	8771																	
			2.50	1757	7014								380	388	395	403	410			419		
			3.15	1395	5569																	
22.0/ 30.0	4	2	1.60	3444	13750	46000	850	500H										8 kg	AL65 / ALO65			
			2.00	2611	10423																	
	2	2	2.50	2089	8340																	
			3.15	1600	6385							380	388	395	403	410	419					
1*) 30.0/ 40.0	4	2	1.60	4236	16977	46000	850	500H										27 kg	AL65 / ALO65			
			2.00	3801	15236																	
			2.50	3049	12222																	
			3.15	2498	10012										480	488	495			504		
			4.00	1901	7618																	

\* T1+T2 value is valid for shortest available RL – in case of any questions please contact Rulmeca sales.  
1\*) Please note the 30kW motor will be delivered with 10mm bonded ceramic lagging!

We offer idler pulleys with the dimensions to match our motors on request.