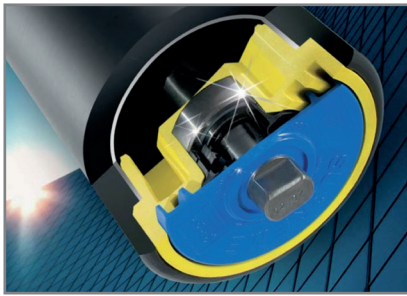




Supreme

Heavy Duty anti build-up and corrosion resistant roller



The Melco SUPREME boasts a wide range of superior advantages, features & benefits:

- Steel tube ensures adequate mechanical strength for heavy duty loads;
- Ultra thick abrasion and corrosion resistant, 12 mm thick or more, turned down, HDPE shell;
- HDPE contains carbon black increasing ultra violet resistance;
- Steel and HDPE tube combination provides significantly reduced weight;
- The bearing housing effectively locks the HDPE tube in position preventing movement along the steel tube;
- Unique large diameter stone-guard with integral labyrinth design minimizes possibility of being jammed by spilt material, and provides additional protection from water and dust;

- Multi part labyrinth seal, in the different executions reported in the table below, protects the bearing from ingress of contaminants;
- Ultra low running resistance and break away mass reduces power consumption for start-up and continuous operation;
- Machined finish ensures LOW run-out, minimizing vibration and noise emission.

Typical applications

- Mining - Platinum, Copper, Uranium, Iron Ore, Gold, Diamonds, Sand;
- Coal Process Plants;
- Coal Fired Power Stations;
- Import/Export Terminals;
- Belt scales;
- Aluminium Smelters;
- Steel Plants;
- Fertilizer Plants.

Programme of production

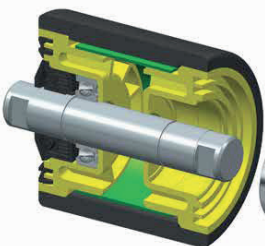
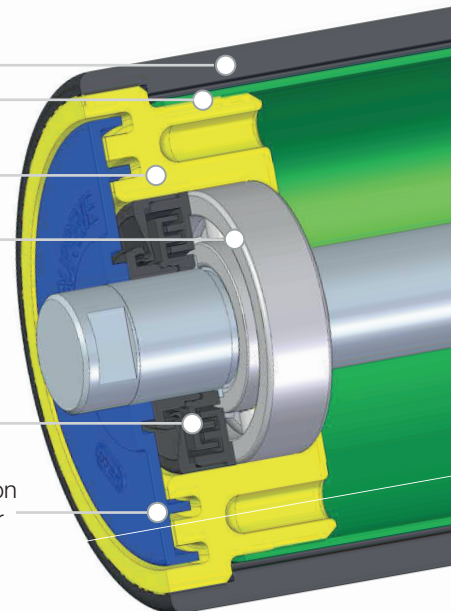
Series Executions	SPRM/2 C-H-CV3-HV3	SPRM/3 C-H-CV3-HV3	SPRM/4 C-H-CV3-HV3	SPRM/5 C-H-CV3-HV3	SPRM/7 C-H-CV3-HV3
shaft ø mm	25	25	30	30	40
bearings	6205	6305	6206	6306	6308
Shell ø mm	127,133,152,159	127, 133	127, 133	152, 159	152, 159, 178

EXECUTIONS C = Contactless seals H = Hermetic seal CV3 = Contactless Deep Freeze HV3 = Hermetic Deep Freeze

Supreme V3 (H or C)

In cold and wet conditions the V3 version of the Supreme rollers is advised to prevent ice accumulation inside the seal cavities on intermittent operations. This static big stone-guard is replaced with a cover cap and a flinger seal is included to ensure optimal sealing.

- HDPE thick shell, lathe turned
- internal reinforcing steel tube
- strong polymer bearing housing, fiber glass added
- deep groove precision ball bearings, C3 increased clearance



- internal seal: Contactless or Hermetic seal as required
- static, large protection Stone Guard / Cover (or V3 option)
- Rubber flinger seal