

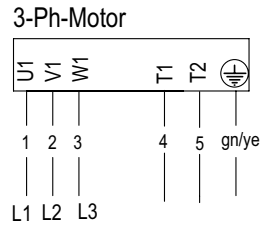
CONNECTION DIAGRAMS FOR MOTORIZED PULLEYS 220M - 320H

Cable Connection

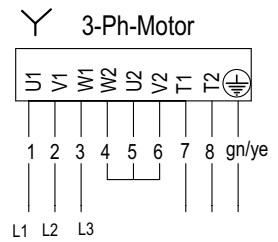
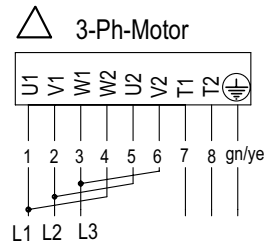
Cable wires with numbers

T1 & T2 = Thermal Protector
EB = Electromagnetic brake
B1 & B2 = EB

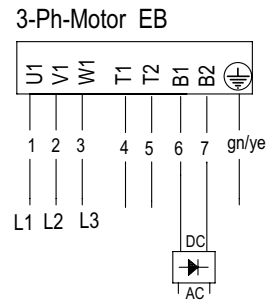
01



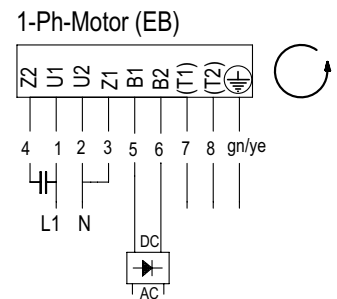
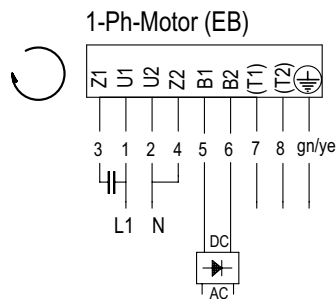
02



03



04



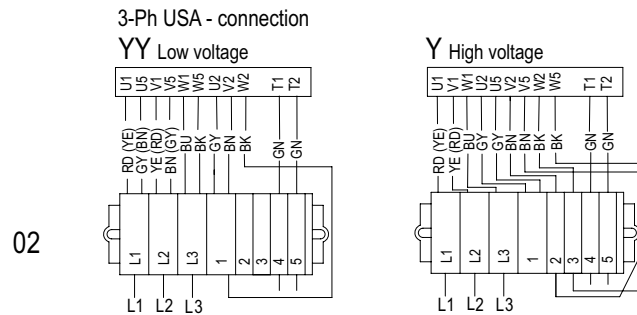
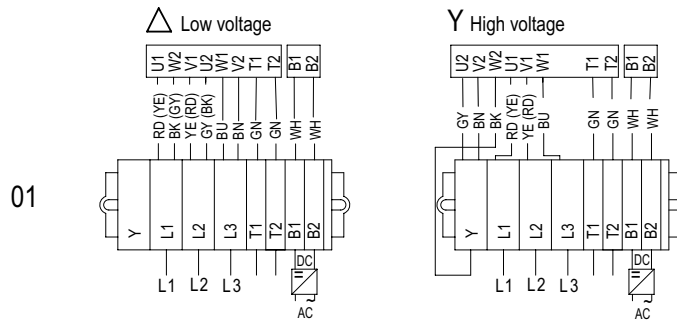
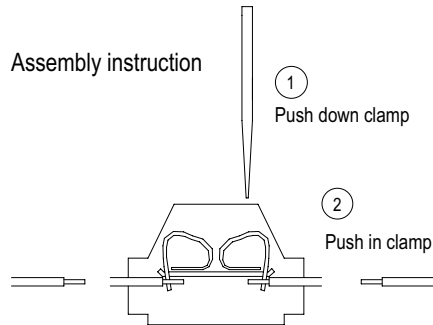
CONNECTION DIAGRAMS FOR MOTORIZED PULLEY WITH COMPACT TERMINAL BOX AND WAGO-CLAMP 138LS - 320H POWER ≤ 4.0 kW

Characters in brackets for 2 stage gearbox!

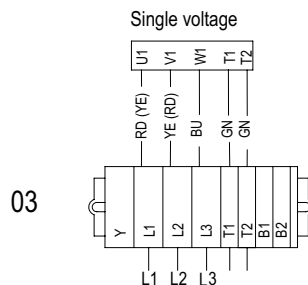
EB = Electromagnetic brake

Clamps B1 and B2 are for standard unassigned

RD = Red
 YE = Yellow
 BK = Black
 GY = Grey
 BU = Blue
 GN = Green
 WH = White
 BN = Brown
 T1 & T2 = Thermal Protector
 B1 & B2 = Electromagnetic Brake

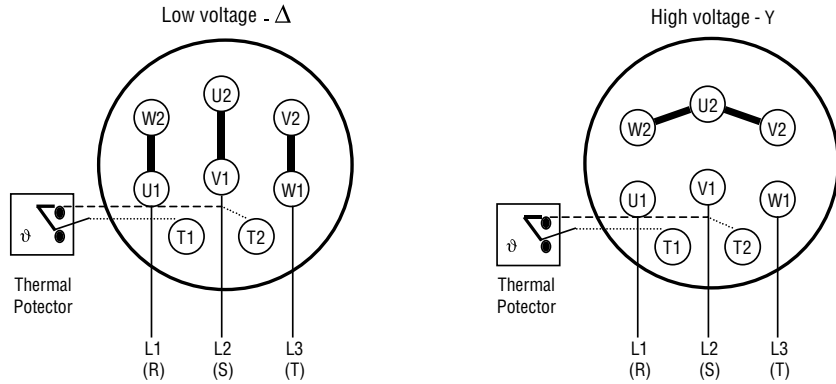


Note: check the star (U2/V2/W2) before reconnection!



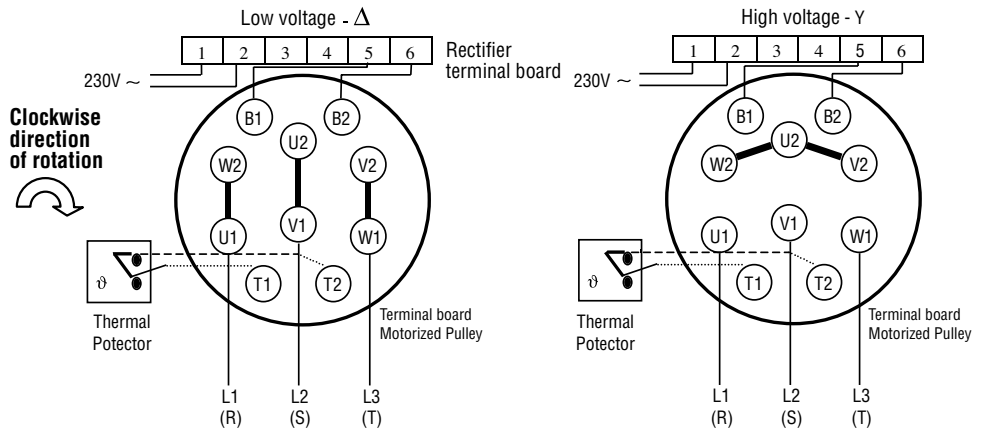
EXTERNAL CONNECTION DIAGRAMS FOR MOTORIZED PULLEYS

5.5 kW 250 kW



Terminal Box
5.5 kW - 132 kW

Electromagnetic Brake Execution



3-phase single voltage
5.5kW - 250kW

USA - Execution

