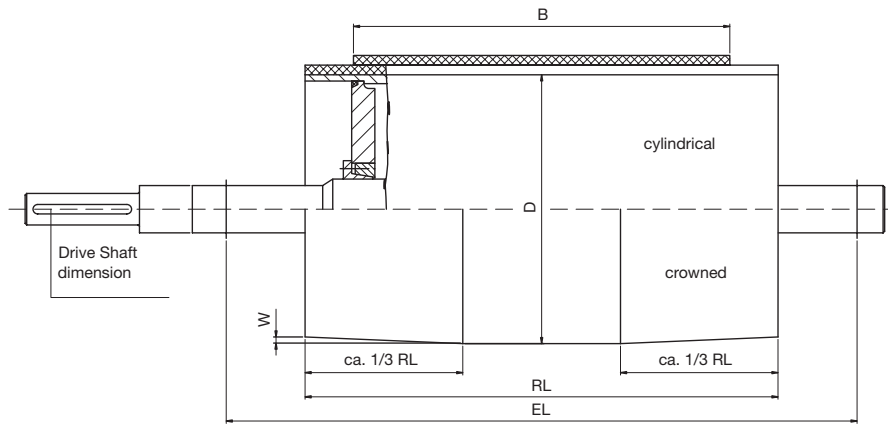


We will find a solution...



- Qty
- Pulley Type**
- Drive Pulley (AT)
- Idler Pulley (UT)
- Snub Pulley (DT)

Please answer the following questions for our offer:

Minimum request

- Pulley diameter
- Shell width and/or belt width
- Bearing centre to centre distance
- Max radial load and or requested power
- Belt speed

D mm

RL mm

B mm

EL mm

$R=T_1+T_2$ kN

..... kW

v m/s

Additional Information

- Driving torque
- Fitting dimension of the gear box or coupling
- Wrap angle
- Requested bearing sealing system or for special operating condition
- Requested friction lining
- Shell design crowned parallel shell

M kN m

..... mm

(at DT) ° Grad

.....

.....

Options

- balancing statically dynamically
- wings for speed control

Please fill in this form and send it out by FAX: **(49) 3473 95 62 10**

RULMECA FAA GmbH
 Wilslebener Chaussee 12-14
 D-06449 Aschersleben
 Phone: +49 34 73 956-0
 Fax: +49 34 73 956-210
 faa@rulmecca.com
 www.rulmecca.com

Don't forget to write down you address!

Your company:

Your Name:

Telephone: Fax No:

E-mail: